

Technical data
Hydraulic lift crane

LR 1300
Litronic®

Complies with ANSI/ASME B 30.5

1006.01

BUCKNER
HEAVYLIFT CRANES

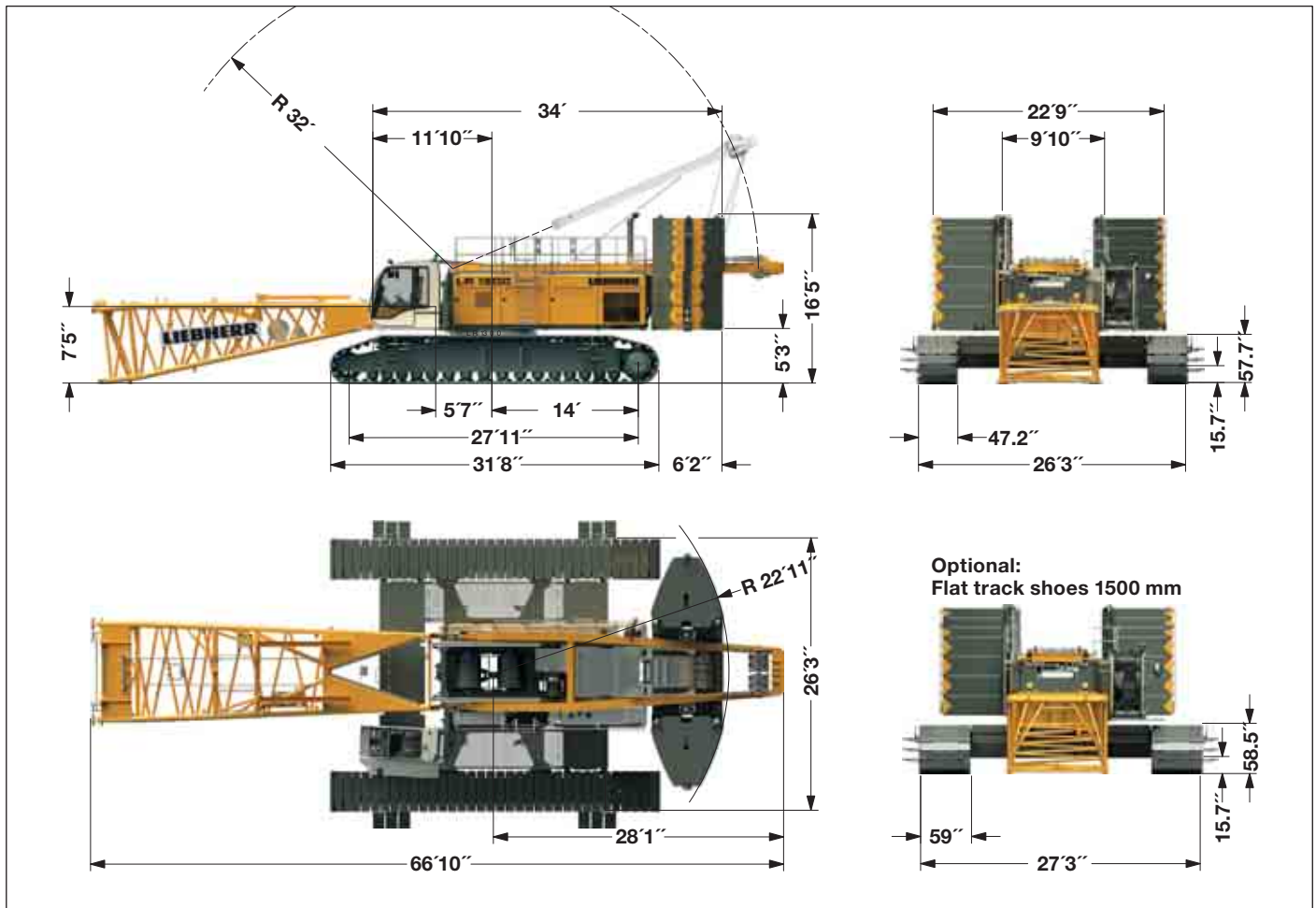
www.bucknercompanies.com | 336.376.888



LIEBHERR

Dimensions

Basic machine with undercarriage



Operating weight

The operating weight includes the basic machine with crawlers, 2 main winches 33,725 lbf and 66 ft main boom, consisting of A-frame, boom foot (33 ft), boom head (23 ft), boom extension (10 ft), 273,400 lbs basic counterweight, 125,700 lbs carbody counterweight and 661,400 lbs hook block.

Total weight _____ approx. 639,400 lbs

Ground pressure

Ground bearing pressure _____ 20.6 PSI

Equipment

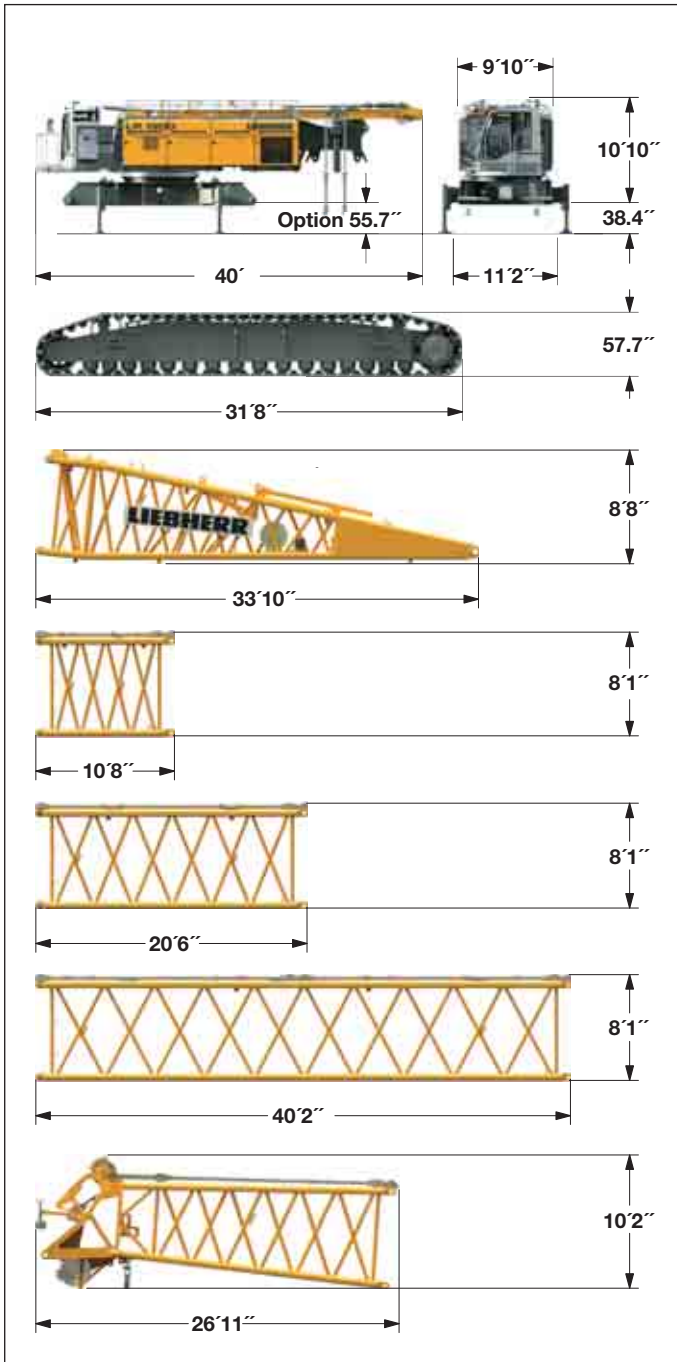
Main boom (No. 2821.xx) max. length _____ 322 ft
 High reach boom (No. 2821.xx and 2316.xx) _____ 404 ft
 Luffing jib (No. 2316.xx) max. length _____ 371 ft
 Max. combination _____ main boom 194 ft and luffing jib 371 ft
 Fixed jib (No. 1008.xx) _____ 36 ft - 85 ft
 Fixed jib (No. 1713.xx) _____ 46 ft - 115 ft
 Auxiliary jib _____ 79,400 lbs

Remarks

1. The lifting capacities stated are valid for lifting operation only (corresponding with crane classification according to F.E.M. 1.001. crane group A1).
2. Crane standing on firm, horizontal ground.
3. The weight of the lifting device (hoisting ropes, hook block, shackle etc.) must be deducted from the gross lifting capacity to obtain a net lifting value.
4. Additional equipment on boom (e.g. boom walkways, auxiliary jib) must be deducted to get the net lifting capacity.
5. For max. wind speed please refer to lift chart in operator's cab or manual.
6. Working radii are measured from center of swing and under load.
7. The lifting capacities are valid for 360 degrees of swing.
8. Calculation of stability under load is based on ANSI/ASME B 30.5 load ratings as well as ISO 4305 Table 2 and is tested according to SAE J765.
9. Loads for calculation of structures are corresponding to F.E.M. 1.001-1998 and are tested according to SAE J987.

Transport dimensions and weights

Basic machine and boom (No. 2821.xx)



↳ Including pendants

Basic machine

with A-frame, 2x 33,725 lbf crane winches without boom foot, hoist ropes, basic counterweight and crawlers

Width	9'10"
Weight without hoist rope	101,450 lbs
Weight of hoist rope	2.75 lbs/ft

Crawler

	Optional	Standard
Flat track shoes	59 inch	47.2 inch
Width	59 inch	55.1 inch
Weight	57,765 lbs	49,275 lbs

Boom foot (No. 2821.30)

Width	9'9"
Weight without winch	12,570 lbs
Weight incl. winch and rope	16,320 lbs

Boom section (No. 2821.24) 10 ft

Width	9'9"
Weight incl. main boom pendants	2,645 lbs
Weight incl. main boom and luffing jib pendants	2,870 lbs

Boom section (No. 2821.24) 20 ft

Width	9'9"
Weight incl. main boom pendants	4,200 lbs
Weight incl. main boom and luffing jib pendants	4,600 lbs

Boom section (No. 2821.24) 40 ft

Width	9'9"
Weight incl. main boom pendants	7,385 lbs
Weight incl. main boom and luffing jib pendants	8,180 lbs

Boom head (No. 2821.24)

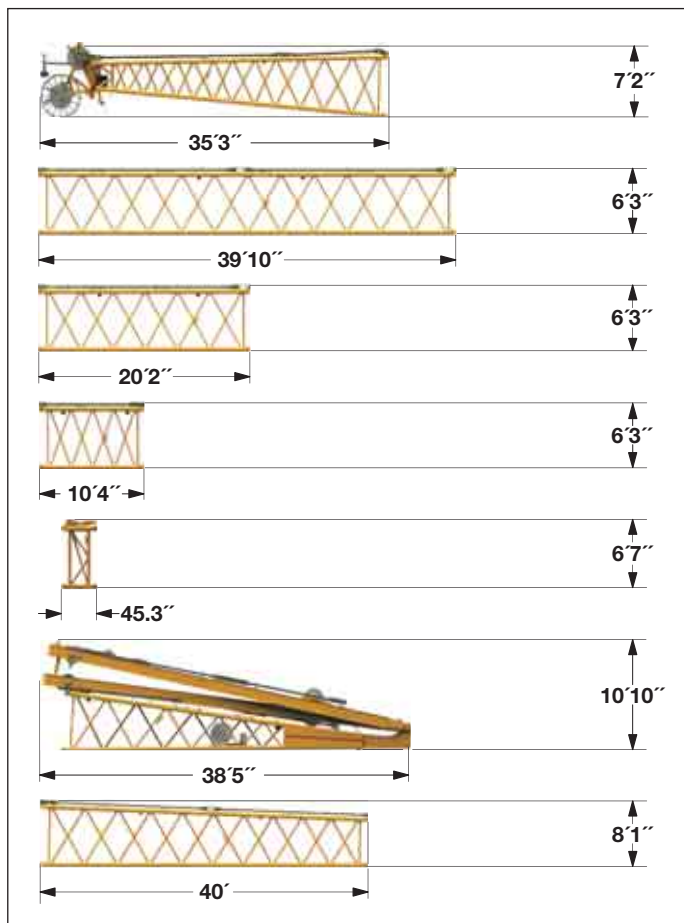
Width	9'9"
Weight*	11,905 lbs

Boom - luffing jib transport option

No. 2821.xx/2316.xx	40/40	20/20	10/10 ft
Length	41'	20'6"	10'8"
Weight*	11,360	6,300	3,990 lbs

Transport dimensions and weights

Luffing jib (No. 2316.xx)



Luffing jib head (No. 2316.20)

Width	8'
Weight*	5,070 lbs

Luffing jib section (No. 2316.20) **40 ft**

Width	8'
Weight*	3,970 lbs

Luffing jib section (No. 2316.20) **20 ft**

Width	8'
Weight*	2,100 lbs

Luffing jib section (No. 2316.20) **10 ft**

Width	8'
Weight*	1,325 lbs

L - boom jib section (No. 2316.20) **39.4 inch**

Width	8'
Weight*	1,415 lbs

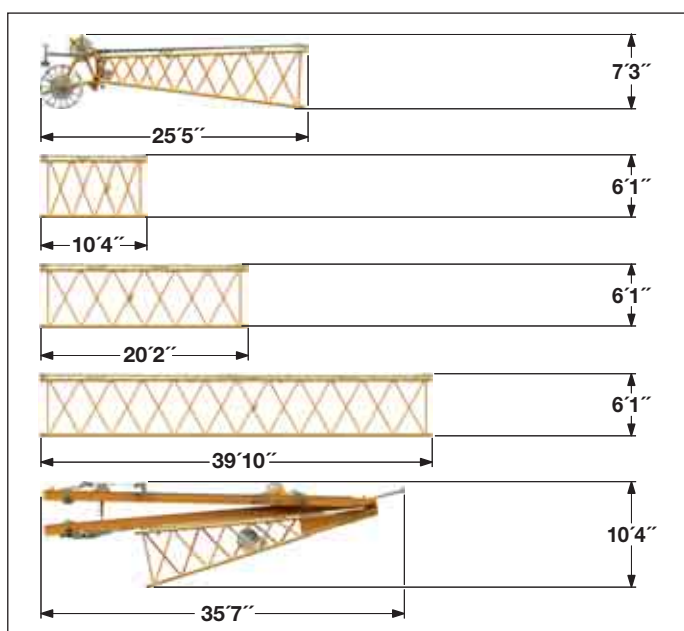
Luffing jib foot with A-frames (No. 2316.22)

Width	8'9"
Weight*	17,800 lbs

L - boom section tapered (No. 2821/2316.24) **40 ft**

Width	9'9"
Weight*	5,955 lbs

Luffing jib (No. 1916.xx)



Luffing jib head (No. 1916.21)

Width	6'7"
Weight*	3,420 lbs

Luffing jib section (No. 1916.18) **40 ft**

Width	6'7"
Weight*	2,755 lbs

Luffing jib section (No. 1916.18) **20 ft**

Width	6'7"
Weight*	1,525 lbs

Luffing jib section (No. 1916.18) **10 ft**

Width	6'7"
Weight*	1,050 lbs

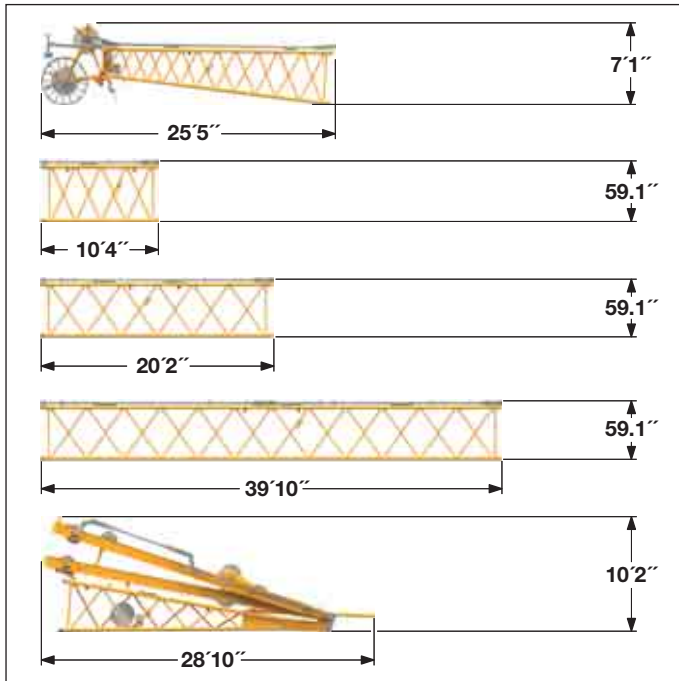
Luffing jib foot with A-frames (No. 1916.22)

Width	6'7"
Weight*	13,890 lbs

*) Including pendants

Transport dimensions and weights

Fixed jib (No. 1713.xx)



Fixed jib head (No. 1713.21)

Width	6'
Weight*	3,035 lbs

Fixed jib section (No. 1713.18) 40 ft

Width	6'
Weight*	2,515 lbs

Fixed jib section (No. 1713.18) 20 ft

Width	6'
Weight*	1,390 lbs

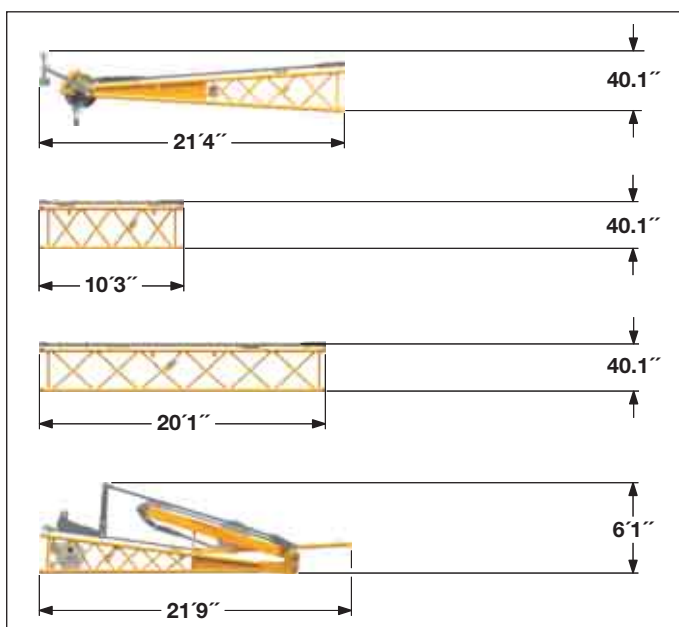
Fixed jib section (No. 1713.18) 10 ft

Width	6'
Weight*	950 lbs

Fixed jib foot with A-frame (No. 1713.22)

Width	6' mm
Weight*	10,185 lbs

Fixed jib (No. 1008.xx)



Fixed jib head (No. 1008.20)

Width	43 inch
Weight*	2,030 lbs

Fixed jib section (No. 1008.17) 20 ft

Width	43 inch
Weight*	1,005 lbs

Fixed jib section (No. 1008.17) 10 ft

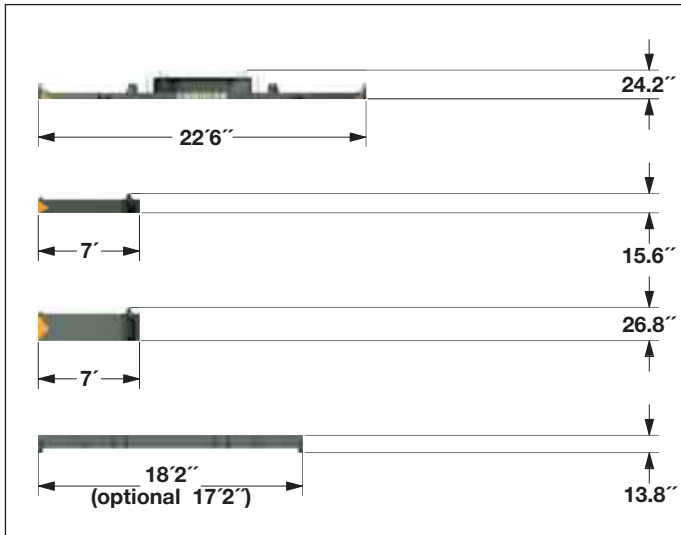
Width	43 inch
Weight*	660 lbs

Fixed jib foot with A-frame (No. 1008.20)

Width	7'3"
Weight*	4,300 lbs

Transport dimensions and weights

Counterweights



Counterweight **1x**

Width	6'11"
Weight	31,970 lbs

Counterweight **6x**

Width	6'11"
Weight	11,025 lbs

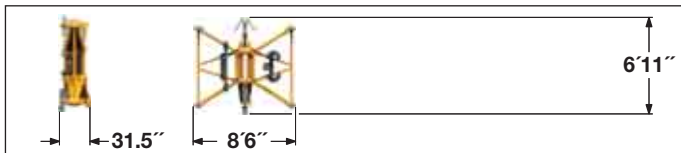
Counterweight **8x**

Width	6'11"
Weight	22,050 lbs

Carbody counterweight **4x**

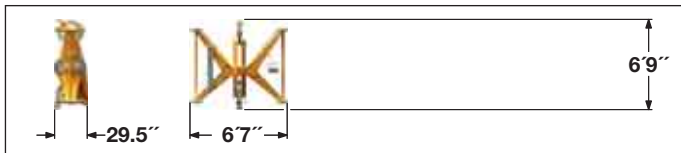
	Optional	Standard
Width	59.1 inch	47.2 inch
Weight	29,545 lbs	31,420 lbs

Mid fall (optional)



Mid fall section (No. 2316.25) **19.7 inch**

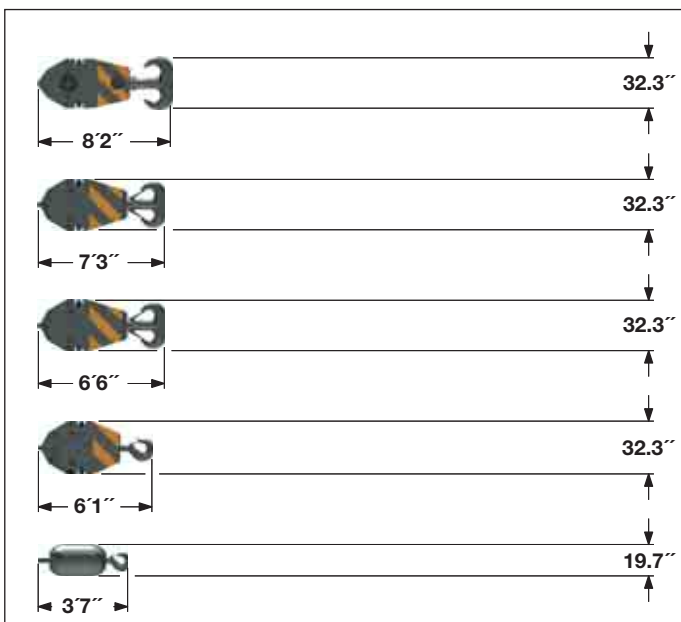
Width	31.5 inch
Weight	1,525 lbs



Mid fall section (No. 1916.32) **19.7 inch**

Width	29.5 inch
Weight	1,510 lbs

Hooks



661,400 lbs hook block - 11 sheaves

Width	34.6	48.4 inch
Weight	7,055	12,125 lbs

330,700 lbs hook block - 5 sheaves

Width	19.7	26.0	32.3 inch
Weight	3,530	6,180	8,820 lbs

220,500 lbs hook block - 3 sheaves

Width	13.4	18.9	24.4 inch
Weight	2,425	4,520	6,620 lbs

110,230 lbs hook block - 1 sheave

Width	11.0	16.1	21.3 inch
Weight	1,765	3,530	5,295 lbs

35,300 lbs single hook

Width	19.7 inch
Weight	1,985 lbs

Technical description



Engine

Power rating according to ISO 9249, 390 kW (523 hp) at 1900 rpm
Engine type ———— Liebherr D 856 A7 SCR
Fuel tank ———— 238 gal capacity with continuous level indicator and reserve warning
Engine complies with NRMM exhaust certification EPA/CARB Tier 4i or 97/68 EC Stage IIIB.



Hydraulic system

An axial displacement pump supplies the open loop hydraulic system for boom luffing, jib luffing and travel. The main hoist winches and swing are operated in a closed loop system. All functions can be operated simultaneously. To minimize peak pressure an automatic working pressure cut-off has been installed. All filters are electronically monitored.
The use of synthetic environmentally friendly (biodegradable) oils is possible.
Working pressure ———— max. 5076 PSI
Oil tank capacity ———— 238 gal



Luffing jib winch

Line pull ———— max. 23,605 lbf
Rope diameter ———— 20 mm
Jib luffing ———— 69 sec. from 15° to 78°



Boom winch

Line pull ———— max. 48,784 lbf
Rope diameter ———— 24 mm
Boom up ———— 127 sec. from 15° to 86°



Swing

Consists of rollerbearing with external teeth, swing drive with fixed axial piston hydraulic motor, spring loaded and hydraulically released multi-disc holding brake, planetary gearbox and pinion.
Both swing modes are possible – speed control or free swing.
A multi-disc holding brake acts automatically at zero swing motion.
Swing speed from 0 – 1.8 rpm continuously variable.



Main winches

Line pull (1st layer) ———— max. 48,335 lbf
Line pull (7th layer) ———— 33,725 lbf
Rope diameter ———— 28 mm
Drum diameter ———— 28.7 inch
Rope speed ———— 0 – 453 ft/min
Rope capacity in 7 layers ———— 1,870 ft

The winches are outstanding in their compact design and easy assembly.
Propulsion is via a planetary gearbox in an oil bath.
Load support by the hydraulic system; additional safety factor provided by a spring loaded, multi-disc holding brake.
The main winches use pressure controlled, variable flow hydraulic motors.
This system features sensors that automatically adjust oil flow to provide max. winch speed depending on load.
Option – winch with freefall system:
Clutch and braking functions on the freefall system are provided by a compact designed, low wear and maintenance free multi-disc brake.



Crawlers

Propulsion through axial piston motor, hydraulically released spring loaded multi-disc brake, crawler tracks, hydraulic chain tensioning device.
Flat track shoes ———— 47.2 inch (optional 59.1 inch)
Drive speed ———— 0 – 0.8 mph



Control

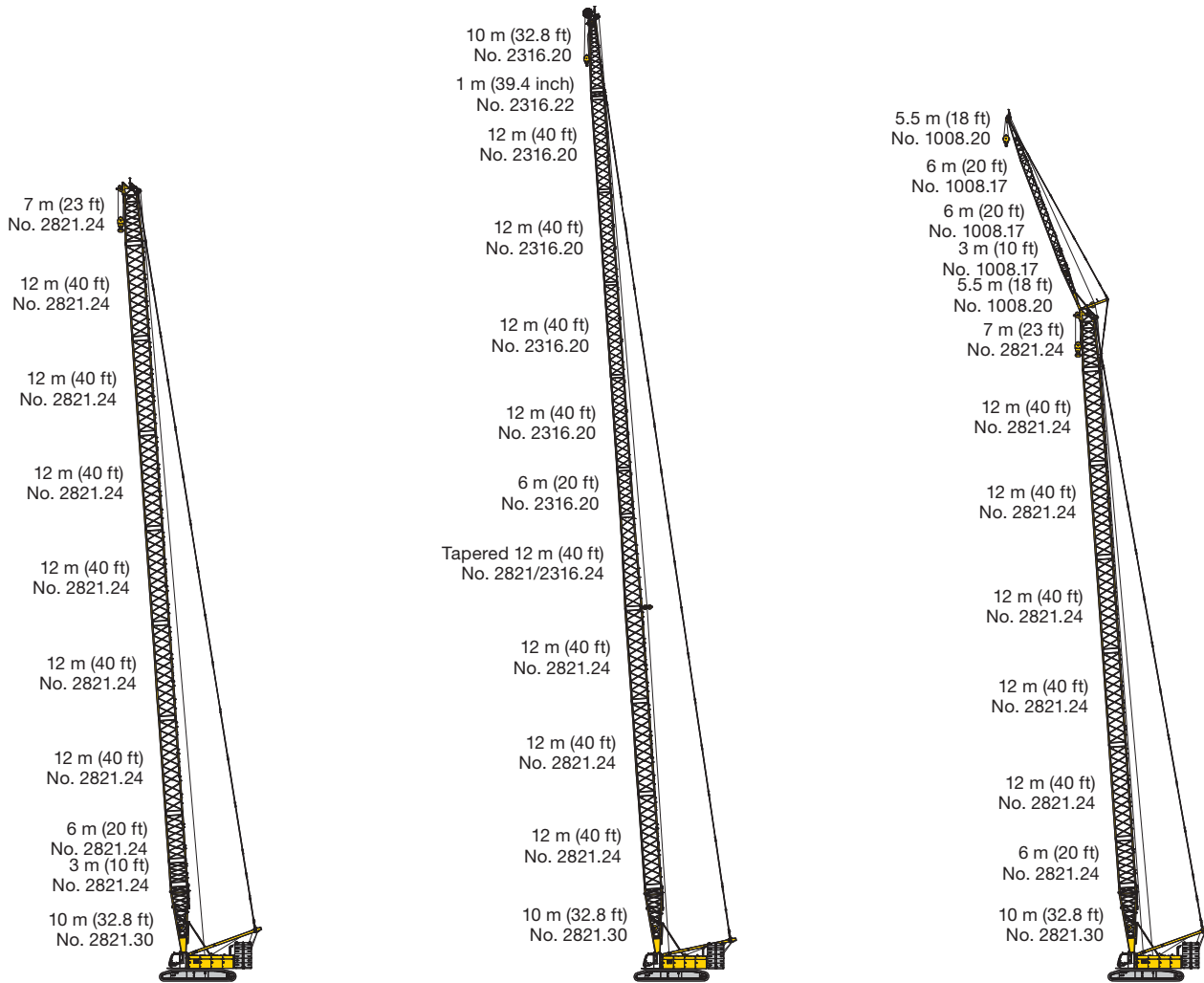
The control system – developed and manufactured by Liebherr – is designed to withstand extreme environmental conditions such as temperature, vibration and electromagnetic interference and to meet all requirements that are needed in heavy duty crane operation.
Complete machine operating data are shown on a high resolution display. Standard operational information is displayed by means of graphical symbols, fault indications are displayed in plain text (more than 15 languages available).
The cranes are equipped with proportional control for all main movements, which can be carried out simultaneously.
The crane is operated with 2 multi-directional joysticks, the right for winch I and boom, the left for winch II and swing control.
Option:
Bi-directional double T-levers for simultaneous boom and luffing jib operation.
The crawlers are activated by the two foot pedals. Additionally, hand levers can be attached to the pedals.
Remote control for assembly of counterweight and boom hinge pins.



Noise emission

Noise emissions correspond with 2000/14/EC directive on noise emission by equipment used outdoors.

Boom combinations



Main boom No.2821.xx ——— 322 ft

Max. combination ——— 404 ft

Max. combination ——— 357 ft

Main boom No.2321.xx ——— 151 ft

Main boom No. 2821.xx ——— 272 ft

Tapered No.2821/2316.xx ——— 40 ft

Luffing jib No.2316.xx ——— 213 ft

Fixed jib No. 1008.xx ——— 85 ft

Boom combinations

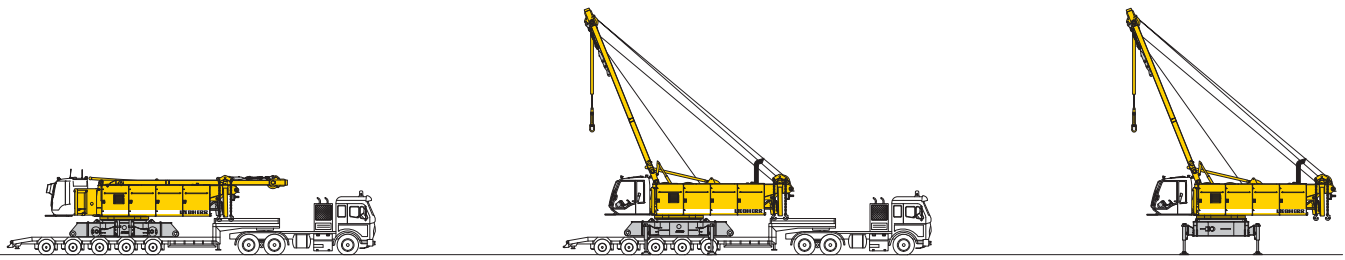


Max. combination	368 ft
Main boom No. 2821.xx	253 ft
Fixed jib No. 1713.xx	115 ft

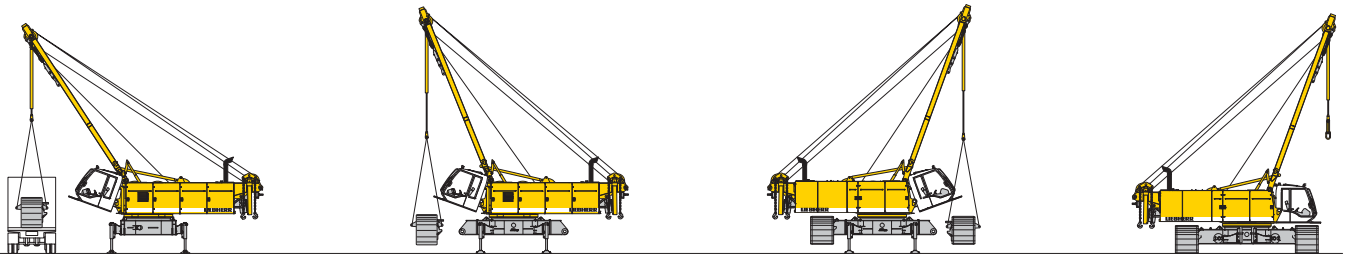
Max. combination	535 ft
Main boom No. 2821.xx	223 ft
Luffing jib No. 1916.xx	312 ft
Main boom No. 2821.xx	243 ft
Luffing jib No. 1916.xx	174 ft

Max. combination	564 ft
Main boom No. 2821.xx	194 ft
Luffing jib No. 2316.xx	371 ft
Main boom No. 2821.xx	233 ft
Luffing jib No. 2316.xx	144 ft

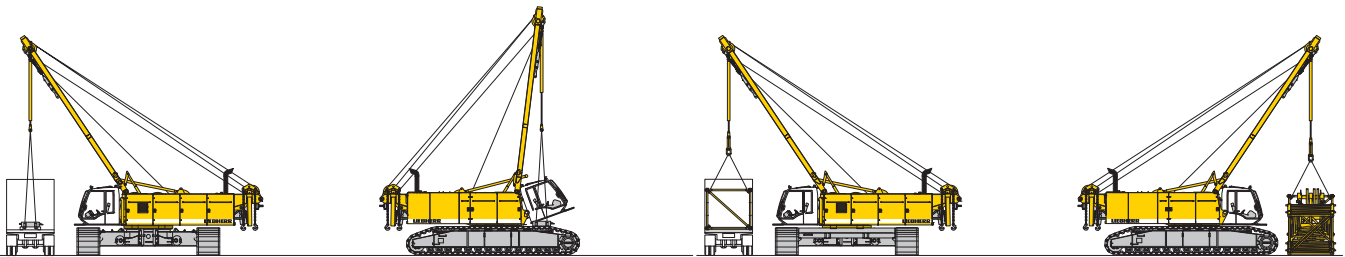
Self assembly system



Unloading of basic machine

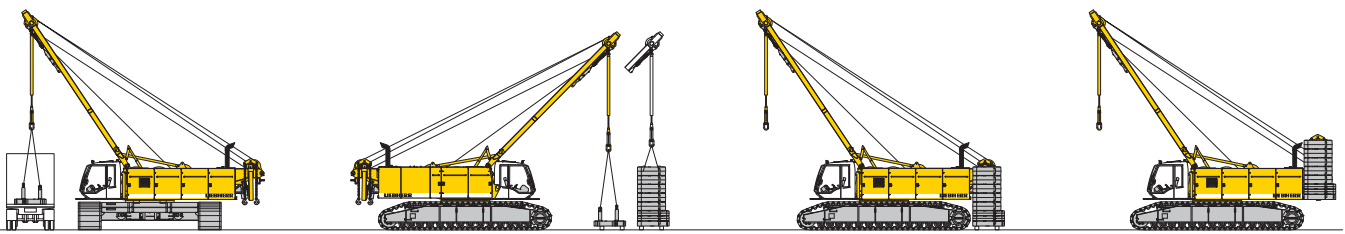


Unloading and assembly of crawlers

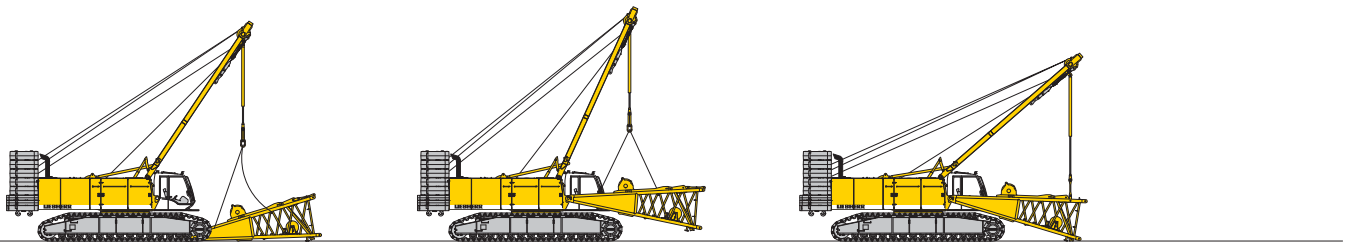


Unloading and assembly of carbody counterweight

Unloading and assembly of boom

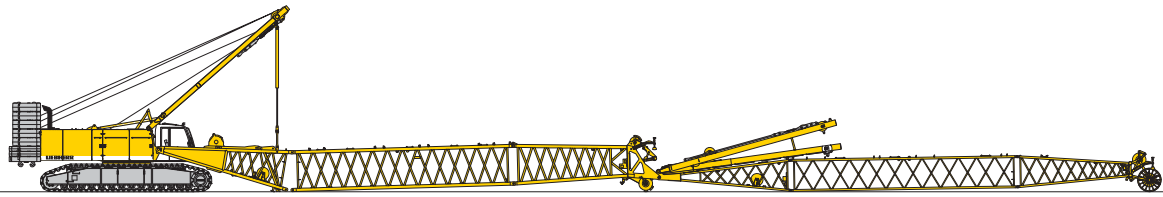


Unloading and assembly of counterweight

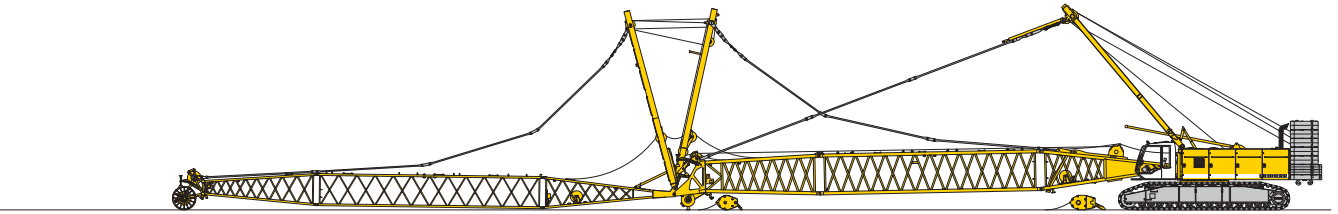


Unloading and assembly of boom foot

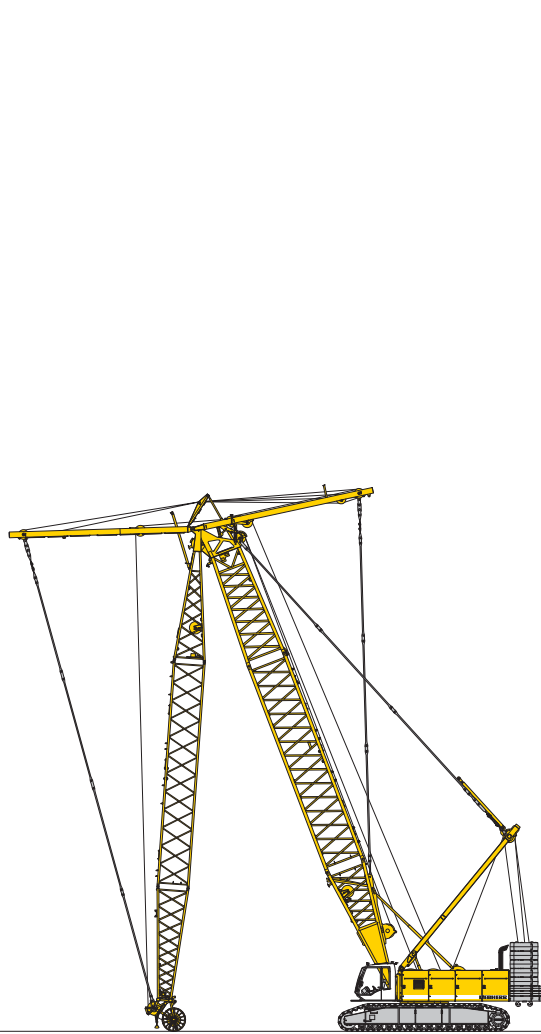
Erecting of main boom to working position



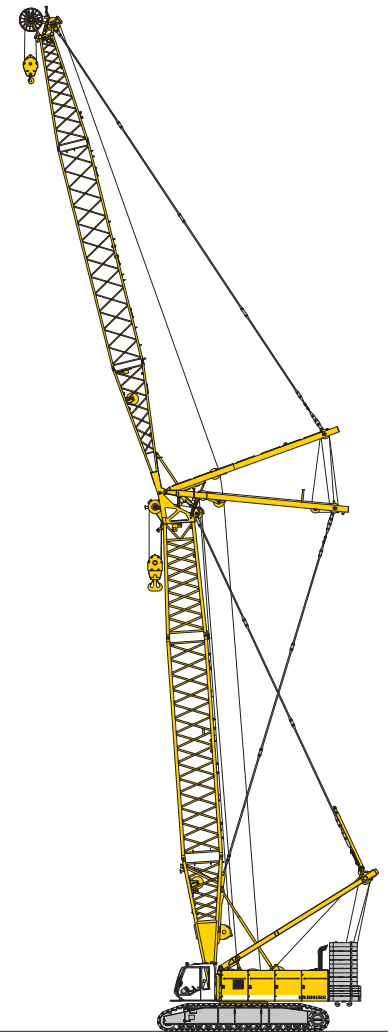
Assembly of boom



Reeving of hoist and luffing jib ropes



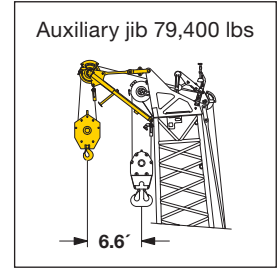
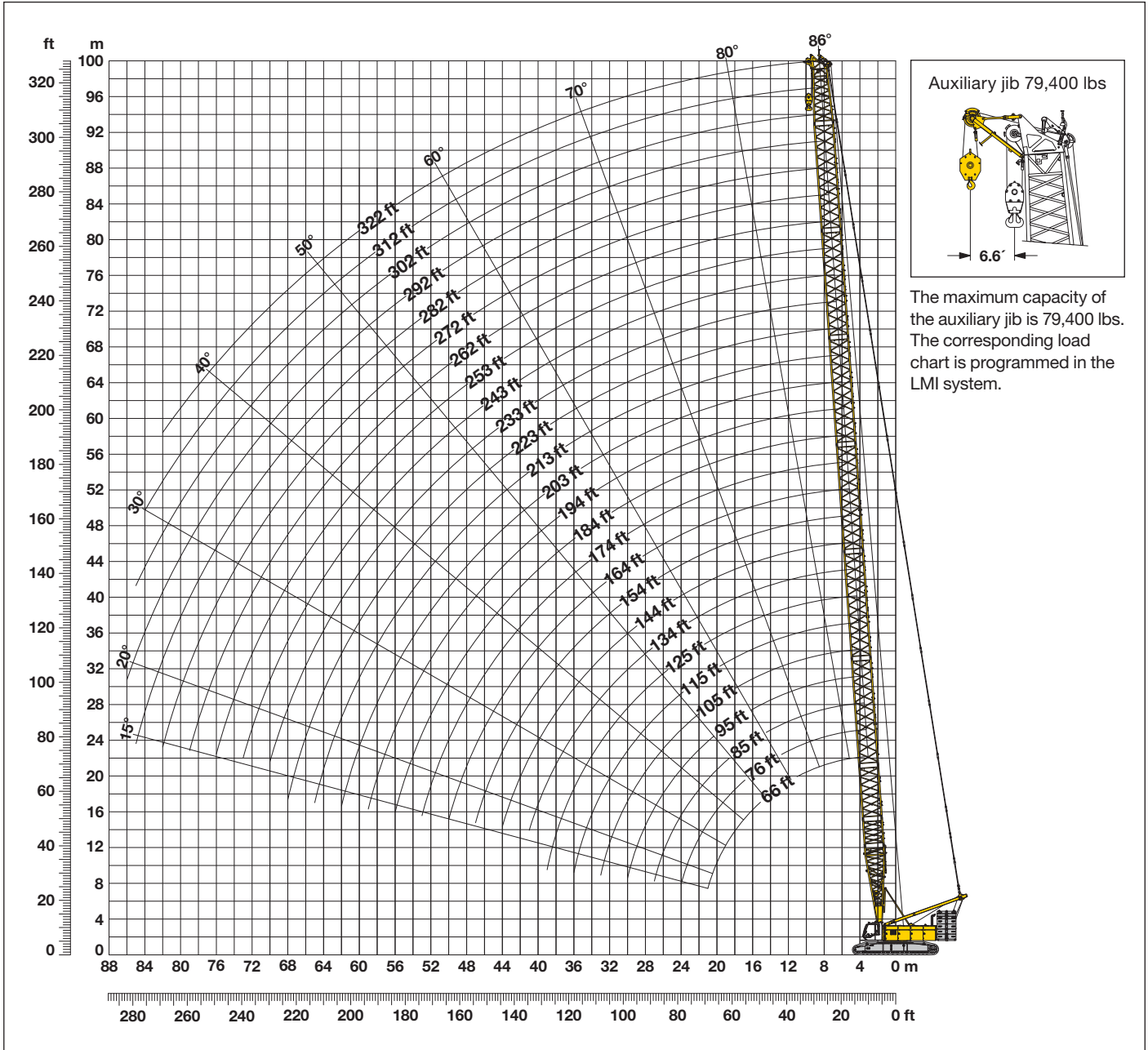
Erecting of main boom and luffing jib



Working position

Working range - main boom (No. 2821.xx) 86° - 15°

273,400 lbs counterweight and 125,700 lbs carbody counterweight



The maximum capacity of the auxiliary jib is 79,400 lbs. The corresponding load chart is programmed in the LMI system.

Main boom configuration (Table 1 – No. 2821.xx)

Configuration for boom lengths (66 ft- 322 ft)																																		
Boom foot	Length*	Amount of boom extensions																																
		33 ft	43 ft	53 ft	63 ft	73 ft	83 ft	93 ft	103 ft	113 ft	123 ft	133 ft	143 ft	153 ft	163 ft	173 ft	183 ft	193 ft	203 ft	213 ft	223 ft	233 ft	243 ft	253 ft	263 ft	273 ft	283 ft	293 ft	303 ft	313 ft	323 ft			
Boom foot	33 ft	1	1	1	1	1	1	1	1	1	1	1	1	1	1	1	1	1	1	1	1	1	1	1	1	1	1	1	1	1	1	1	1	
Boom insert	10 ft	1		1					1					1		1				1		1				1		1				1		1
Boom insert	20 ft		1	1				1	1				1	1				1	1			1	1			1	1				1	1		1
Boom insert	40 ft				1	1	1	1	1	2	2	2	2	3	3	3	3	3	4	4	4	4	4	5	5	5	5	6	6	6	6	6	6	6
Boom head	23 ft	1	1	1	1	1	1	1	1	1	1	1	1	1	1	1	1	1	1	1	1	1	1	1	1	1	1	1	1	1	1	1	1	1
Boom length (ft)		66	76	85	95	105	115	125	134	144	154	164	174	184	194	203	213	223	233	243	253	262	272	282	292	302	312	322						

*Actual lengths of boom sections are metric (e.g. 3 m, 6 m, 7 m, 10 m, 12 m). The figures shown above are approximate conversions to feet.

Lift chart for main boom (No. 2821.xx)

229,300 lbs counterweight and 125,700 lbs carbody counterweight

Capacities in 1000 lbs for boom lengths (66 ft - 312 ft) - with 33,725 lbf winches

Radius	Boom length in (ft)															Radius
	66	75	85	105	125	144	164	184	203	223	243	262	282	302	312	
(ft)	lbs	lbs	lbs	lbs	lbs	lbs	lbs	lbs	lbs	lbs	lbs	lbs	lbs	lbs	lbs	(ft)
15	603,2	661,4														15
20	574,2	578,9	578,1	577,4	570,6	526,6										20
25	459,4	459,3	458,5	457,8	456,4	455,4	446,9	419,7	363,6							25
30	379,5	379,4	378,7	378,0	376,6	375,6	374,0	368,6	344,3	311,2	273,2	239,9	205,3			30
35	322,4	322,4	321,6	321,0	319,6	318,5	317,0	315,7	314,1	296,3	261,0	237,6	204,8	177,3	165,4	35
40	274,2	274,7	274,7	274,9	274,7	274,4	274,0	272,9	267,4	261,1	250,9	234,0	202,9	176,4	164,2	40
50	198,7	199,2	199,1	199,2	198,8	198,5	197,9	197,3	196,7	196,0	192,5	188,1	183,6	170,4	160,1	50
60	154,2	154,8	154,7	154,8	154,3	153,9	153,2	152,5	151,8	151,1	150,3	149,3	145,7	142,2	140,3	60
70	33,4	125,4	125,4	125,6	125,0	124,5	123,8	123,1	122,2	121,5	120,6	119,8	118,9	116,3	114,7	70
80		33,4	104,5	104,8	104,3	103,8	103,0	102,3	101,4	100,6	99,6	98,8	97,8	96,9	95,8	80
90			33,4	89,2	88,8	88,3	87,4	86,7	85,8	85,0	84,0	83,1	82,1	81,2	80,7	90
105				71,9	71,6	71,2	70,4	69,6	68,7	67,8	66,8	65,9	64,9	63,9	63,4	105
125					55,6	55,3	54,6	53,8	52,8	52,0	51,0	50,0	49,0	48,0	47,5	125
140						46,6	45,9	45,2	44,2	43,3	42,3	41,3	40,3	39,3	38,8	140
165							34,9	34,4	33,5	32,8	31,7	30,8	29,7	28,7	28,2	165
185								28,0	27,2	26,4	25,3	24,4	23,3	22,3	21,8	185
200									23,2	22,4	21,4	20,5	19,4	18,4	17,9	200
220										17,9	17,0	16,1	15,0	14,0	13,5	220
240											13,3	12,4	11,4	10,4	9,9	240
260												9,3	8,3	7,3	6,8	260
280													5,6	4,7	4,2	280
295														2,9	2,4	295

TLT 983997914 - M118422 Offiziel

Lift chart for main boom (No. 2821.xx)

273,400 lbs counterweight and 125,700 lbs carbody counterweight

Capacities in 1000 lbs for boom lengths (66 ft - 322 ft) - with 33,725 lbf winches

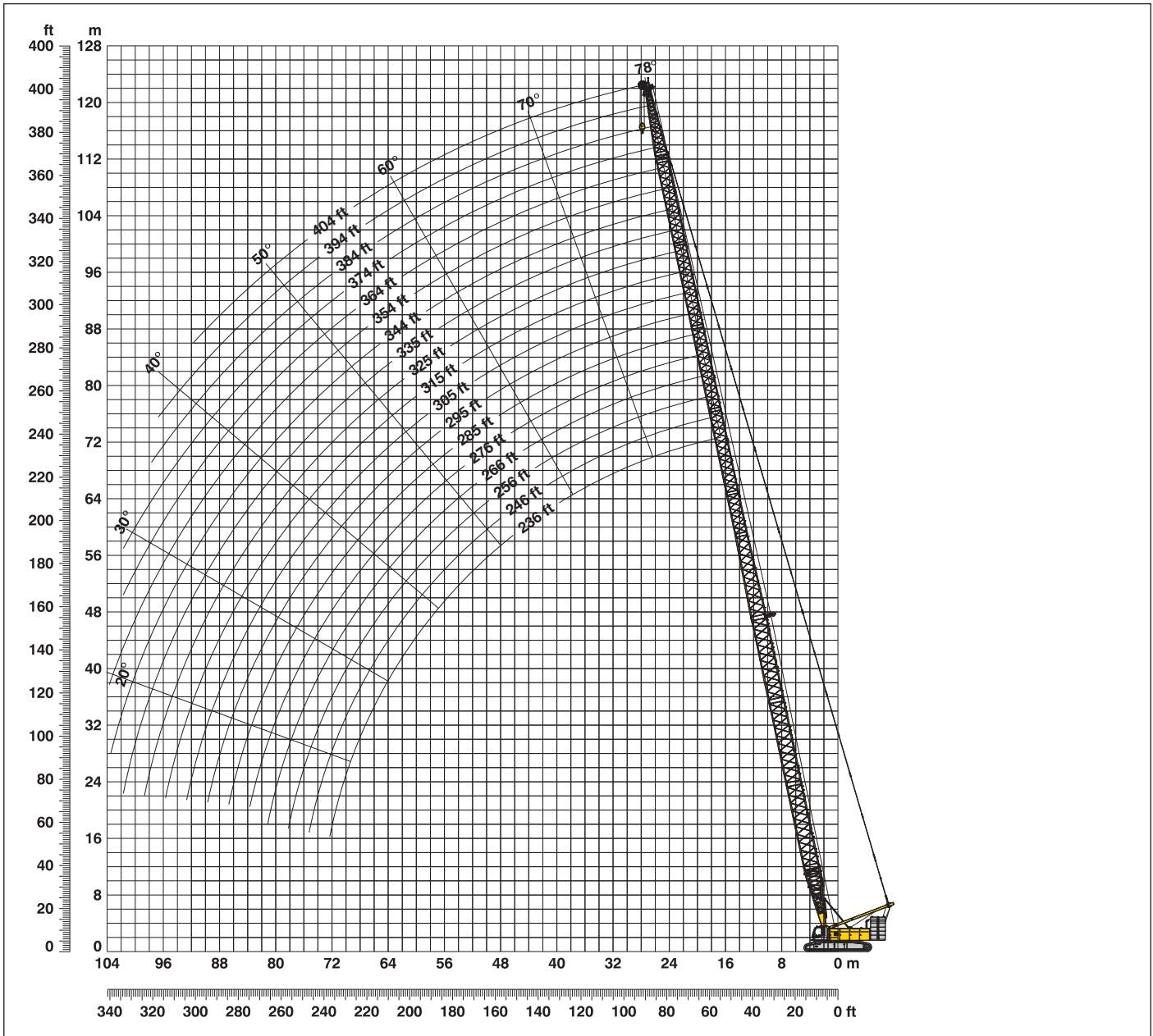
Radius	Boom length in (ft)															Radius
	66	75	85	105	125	144	164	184	203	223	243	262	282	302	322	
(ft)	lbs	lbs	lbs	lbs	lbs	lbs	lbs	lbs	lbs	lbs	lbs	lbs	lbs	lbs	lbs	(ft)
22,3								419,7								22,3
25							446,9	419,7	363,6	66,4						25
30					391,0	386,3	382,5	368,6	344,3	311,2	273,2	239,9	205,3			30
35			346,3	343,1	339,6	334,5	328,2	323,8	319,1	296,3	261,0	237,6	204,8	177,3	155,5	35,0
40	301,0	301,1	300,4	299,8	296,5	294,2	290,8	283,7	278,6	272,2	250,9	234,0	202,9	176,4	154,6	40,0
50	224,9	225,3	225,3	225,4	225,0	224,6	224,0	223,5	222,8	217,4	206,5	202,5	186,8	170,4	152,0	50,0
60	174,9	175,5	175,4	175,6	175,0	174,6	173,9	173,3	172,5	171,8	171,0	170,2	165,0	153,6	140,7	60,0
70	33,4	142,6	142,6	142,7	142,2	141,7	140,9	140,3	139,4	138,7	137,8	137,0	136,1	134,5	131,2	70,0
80		33,4	119,2	119,5	118,9	118,4	117,6	116,9	116,0	115,2	114,3	113,4	112,5	111,6	110,1	80,0
90			33,4	102,0	101,5	101,1	100,2	99,5	98,6	97,8	96,8	95,9	94,9	94,0	93,0	90,0
105				82,7	82,4	81,9	81,1	80,4	79,4	78,6	77,6	76,6	75,6	74,7	73,6	105,0
125					64,4	64,2	63,4	62,7	61,7	60,8	59,8	58,9	57,8	56,8	55,8	125,0
145						51,5	50,9	50,2	49,3	48,4	47,3	46,4	45,3	44,3	43,2	145,0
165							41,5	40,9	40,0	39,2	38,1	37,2	36,1	35,1	34,0	165,0
185								33,4	33,0	32,2	31,1	30,2	29,1	28,1	27,0	185,0
200									28,5	27,7	26,7	25,8	24,7	23,7	22,6	200,0
220										22,8	21,8	20,9	19,8	18,8	17,7	220,0
240											17,7	16,8	15,8	14,8	13,7	240,0
260												13,3	12,3	11,4	10,3	260,0
280													9,3	8,4	7,1	280,0
295														6,2	4,7	295,0
310															2,4	310,0

TLT 983997914 - M118422 Offiziel

Above lift chart is for reference only. For actual lift duty please refer to lift chart in operator's cab or manual.

L-boom high reach (No. 2821/2316.xx) **236 ft - 404 ft**

Working range 78° - 15°



L-boom configuration with 151 ft Main boom (No. 2821/2316.xx)

Configuration for L-boom lengths (236 ft - 404 ft)

Component	Length*	Amount of boom and luffing jib extensions																		
		1	1	1	1	1	1	1	1	1	1	1	1	1	1	1	1	1	1	1
Boom foot	33 ft	1	1	1	1	1	1	1	1	1	1	1	1	1	1	1	1	1	1	1
Boom insert	40 ft	3	3	3	3	3	3	3	3	3	3	3	3	3	3	3	3	3	3	3
Tapered	40 ft	1	1	1	1	1	1	1	1	1	1	1	1	1	1	1	1	1	1	1
Luffing insert	10 ft	1		1		1		1		1		1		1		1		1		1
Luffing insert	20 ft		1	1				1				1			1			1		1
Luffing insert	40 ft				1	1	1	1	2	2	2	2	3	3	3	3	4	4	4	4
Luffing insert	3.3 ft	1	1	1	1	1	1	1	1	1	1	1	1	1	1	1	1	1	1	1
Luffing jib head	33 ft	1	1	1	1	1	1	1	1	1	1	1	1	1	1	1	1	1	1	1
Max. L-boom length (ft)		236	246	253	266	276	285	295	305	315	325	335	344	354	364	374	384	394	404	

*Actual lengths of boom sections are metric (e.g. 1 m, 3 m, 6 m, 10 m, 12 m). The figures shown above are approximate conversions to feet.

Lift chart for L-boom (No. 2821/2316.xx)

Main boom 151 ft

Capacities in 1000 lbs for L-boom lengths (236 ft - 404 ft) - with 33,725 lbs winches
273,400 lbs counterweight and 125,700 lbs carbody counterweight

Radius (ft)	Boom length in (ft)															Radius (ft)	
	236 lbs	276 lbs	285 lbs	295 lbs	305 lbs	315 lbs	325 lbs	335 lbs	344 lbs	354 lbs	364 lbs	374 lbs	384 lbs	394 lbs	404 lbs		
56,5	140,8																56,5
65	120,8	112,6															65
70	110,2	106,8	103,6	97,5													70
75	101,7	98,7	98,7	94,3	91,2	79,1	77,8										75
80	95,3	90,9	90,9	88,1	87,3	76,7	75,3	70,7	72,4								80
85	89,7	84,5	84,1	82,0	81,1	73,3	72,7	68,8	70,5	66,7	59,4						85
90	85,0	79,7	78,6	77,3	75,8	70,2	69,1	66,0	68,0	65,3	58,2	49,4	49,2	44,6			90
95	81,1	75,7	74,3	73,4	71,5	67,7	66,0	63,5	64,3	62,1	56,5	48,2	48,2	43,6	41,8		95
100	77,8	71,8	70,4	70,0	68,2	65,6	63,4	61,3	61,1	59,1	54,7	46,8	46,9	42,5	41,0		100
110	68,5	65,6	64,0	63,3	61,7	60,6	58,8	58,2	56,1	54,3	51,7	44,5	44,6	40,3	38,9		110
120	61,4	59,9	59,4	58,3	56,7	55,3	53,6	53,0	51,4	50,3	49,5	42,7	42,8	38,6	37,2		120
130	55,6	53,5	52,9	53,4	52,7	51,3	49,6	48,8	47,1	45,9	45,3	39,5	40,7	37,0	35,8		130
140	50,1	48,6	47,7	47,9	47,2	46,6	45,8	45,6	43,8	42,5	41,8	36,5	37,9	34,5	33,8		140
150	45,7	44,3	43,8	43,6	42,7	42,1	41,2	41,1	40,1	39,6	39,1	34,1	35,7	32,4	31,8		150
160	41,8	40,2	39,6	39,8	39,3	38,5	37,4	37,2	36,2	35,6	35,3	32,1	34,0	30,8	30,2		160
170	37,9	36,7	35,9	36,0	35,4	35,3	34,5	34,0	32,9	32,2	31,7	29,7	30,5	28,7	29,0		170
180	34,7	33,9	33,0	32,9	32,1	31,9	31,2	32,2	30,3	29,5	28,7	27,6	27,4	26,1	26,0		180
190	32,1	30,7	30,6	30,8	29,4	29,0	28,2	28,9	27,6	27,2	27,1	25,9	24,9	23,9	23,4		190
200	29,1	27,9	27,6	28,4	27,9	27,0	25,7	26,1	24,8	24,4	24,4	24,0	22,9	22,0	21,2		200
210	26,6	25,7	25,1	25,7	25,1	25,0	23,8	23,7	22,3	21,9	21,8	21,5	20,5	20,2	19,5		210
220	24,3	23,6	23,0	23,4	22,7	22,5	21,5	21,7	20,4	19,8	19,5	19,2	18,3	17,8	17,3		220
230	21,9	21,4	20,9	21,5	20,7	20,4	19,3	19,5	18,4	18,1	17,6	17,2	16,3	15,7	15,2		230
235	20,8	20,4	19,9	20,4	19,8	19,4	18,4	18,5	17,4	17,1	16,9	16,4	15,4	14,8	14,3		235
240		19,4	18,9	19,4	18,9	18,5	17,5	17,6	16,5	16,1	15,9	15,7	14,6	14,0	13,4		240
250		17,7	17,1	17,4	16,9	16,8	15,9	15,9	14,7	14,4	14,0	13,9	13,1	12,5	11,8		250
260		15,9	15,5	15,8	15,2	15,0	14,3	14,5	13,3	12,8	12,4	12,3	11,4	11,0	10,5		260
270		14,2	13,9	14,3	13,6	13,4	12,7	12,9	11,9	11,5	11,0	10,8	9,9	9,5	9,0		270
280			12,2	12,6	12,2	12,0	11,3	11,4	10,4	10,2	9,8	9,5	8,5	8,2	7,6		280
290				11,1	10,7	10,7	10,0	10,0	9,1	8,9	8,5	8,4	7,4	7,0	6,3		290
300					9,3	9,3	8,8	8,9	7,8	7,6	7,2	7,1	6,3	6,0	5,2		300
310						8,0	7,5	7,7	6,8	6,6	6,0	6,0	5,2	4,9	4,2		310
320							6,3	6,4	5,7	5,6	5,0	4,9	4,1	3,9	3,5		320
330								5,3	4,7	4,5	4,0	3,9	3,2	2,9	2,8		330
335									4,2	4,0	3,5	3,5	2,8	2,4	2,5		335
345										3,0	2,5	2,8	2,1				345
350											2,0	2,4					350
355												2,1					355

TLT 983997914 - M118422 Offiziel

Above lift chart is for reference only. For actual lift duty please refer to lift chart in operator's cab or manual.

Lift chart - luffing jib (No. 2316.xx)

Main boom 88°

Main boom 66 ft

Radius (ft)	Jib length in (ft)							
	66 lbs	134 lbs	174 lbs	213 lbs	253 lbs	292 lbs	331 lbs	371 lbs
40,6		177,8						
50		140,7	132,7					
60	115,7	108,1	107,0	103,7				
70	94,7	86,9	85,5	84,8	79,4			
75	33,4	79,5	78,4	77,1	75,7	55,3		
85		68,4	65,6	64,3	63,8	53,8	38,1	
90		63,9	60,7	59,8	58,1	52,1	37,8	26,7
110		49,8	47,4	44,7	43,3	41,0	34,3	24,9
140		36,2	34,7	31,8	31,4	28,4	26,9	21,9
180			25,8	23,8	21,4	19,3	17,5	14,7
215				17,8	15,8	13,6	11,3	6,9
240					12,9	10,7	8,5	2,4
255					11,1	9,4	7,0	
290						8,1	4,3	
330							2,0	

Main boom 105 ft

Radius (ft)	Jib length in (ft)							
	66 lbs	134 lbs	174 lbs	213 lbs	253 lbs	292 lbs	331 lbs	371 lbs
40,6		177,8						
50		140,7	132,7					
60	115,7	108,1	107,0	103,7				
70	94,7	86,9	85,5	84,8	79,4			
75	33,4	79,5	78,4	77,1	75,7	55,3		
85		68,4	65,6	64,3	63,8	53,8	38,1	
90		63,9	60,7	59,8	58,1	52,1	37,8	26,7
120		44,2	42,8	39,7	37,8	36,4	31,9	23,9
140		36,2	34,7	31,8	31,4	28,4	26,9	21,9
180			25,8	23,8	21,4	19,3	17,5	14,7
215				17,8	15,8	13,6	11,3	6,9
240					12,9	10,7	8,5	2,4
255					11,1	9,4	7,0	
290						8,1	4,3	
330							2,0	

Main boom 134 ft

Radius (ft)	Jib length in (ft)							
	66 lbs	134 lbs	174 lbs	213 lbs	253 lbs	292 lbs	331 lbs	371 lbs
28,7	258,0							
45	217,2	174,6						
55	183,3	164,0	124,4					
60	170,3	155,0	121,7	90,0				
70	144,4	139,4	115,8	88,1	65,8			
80		126,7	110,3	85,0	64,4	48,6		
85		118,8	106,2	83,2	63,5	48,2	34,4	
95		105,2	99,6	80,1	61,4	46,9	33,9	24,0
130		67,3	70,7	64,7	54,4	42,3	29,8	21,3
140		56,2	63,4	59,8	52,7	40,9	28,8	20,5
180			38,4	43,2	43,0	36,0	25,4	17,8
220				26,5	30,8	29,6	22,9	15,8
255					19,6	22,1	18,9	14,6
290						13,5	14,9	6,1
330							7,4	

Main boom 174 ft

Radius (ft)	Jib length in (ft)							
	66 lbs	134 lbs	174 lbs	213 lbs	253 lbs	292 lbs	331 lbs	371 lbs
30,1	239,1							
45	185,9	138,6						
55	159,7	132,5	102,2					
65	140,0	123,3	98,1	76,3				
70	132,2	117,5	95,3	75,0	57,2			
80		108,1	90,6	72,1	56,2	43,2		
90		98,8	84,3	68,9	54,5	42,6	31,1	
95		94,6	81,7	67,7	53,3	41,9	31,1	21,5
110		83,7	73,8	62,2	50,7	40,0	30,0	20,9
145		53,0	57,8	51,5	41,2	34,3	26,9	18,7
180			39,9	42,1	35,5	29,7	24,5	16,7
220				27,9	30,0	25,7	21,8	15,0
260					18,4	21,8	18,1	13,1
295						12,8	14,6	5,3
335							6,7	

Main boom 194 ft

Radius (ft)	Jib length in (ft)							
	66 lbs	134 lbs	174 lbs	213 lbs	253 lbs	292 lbs	331 lbs	371 lbs
30,8	213,9							
50	159,5	122,1						
55	148,0	118,0	92,3					
65	130,7	109,9	88,7	69,9				
70	123,6	105,3	86,2	69,0	52,9			
80	33,4	97,4	81,7	66,2	52,2	40,5		
90		89,1	76,1	63,0	50,5	39,9	29,7	
95		85,3	73,7	61,9	48,3	39,3	29,5	20,4
145		53,3	52,0	46,5	35,4	30,4	26,0	18,1
180			39,2	38,0	30,3	26,3	23,4	16,2
220				27,8	26,6	23,4	19,8	14,5
260					16,1	19,7	16,9	13,0
295						12,8	14,6	5,4
310							11,8	2,6
335							7,0	

Main boom 233 ft

Radius (ft)	Jib length in (ft)							
	134 lbs	144 lbs						
46,5	97,9							
50	97,6	92,0						
60	91,5	88,2						
70	85,3	82,1						
80	79,0	76,0						
90	73,0	71,2						
100	67,4	65,5						
110	62,5	61,2						
120	57,5	56,5						
130	53,5	52,2						
135	51,9	50,3						
140	50,3	48,8						
145	48,6	47,3						
150		45,9						
155		44,4						

TLT 983997914 - M118442 Offiziell

Capacities in 1000 lbs with luffing jib (No. 2316.xx), 273,400 lbs counterweight + 125,700 lbs carbody counterweight. Above lift chart is for reference only. For actual lift duty and complete chart with all available configurations please refer to lift chart in operator's cab or manual.

Lift chart - luffing jib (No. 2316.xx)

Main boom 83°

Main boom 66 ft

Radius	Jib length in (ft)							
	66	134	174	213	253	292	331	371
(ft)	lbs	lbs	lbs	lbs	lbs	lbs	lbs	lbs
37,7	257,9							
60	143,1	134,4						
70	110,9	104,2	100,2					
80	91,5	84,1	84,3					
85		77,2	77,1	77,5				
95		65,2	64,3	64,1	62,6			
105		57,1	55,7	54,7	55,5	49,1		
120		48,0	45,5	44,5	44,0	43,6	33,4	
130		43,5	40,9	39,1	38,1	38,2	32,3	23,0
145		37,1	35,3	32,8	31,9	30,7	29,8	21,9
185			25,7	23,2	21,7	20,3	18,6	15,6
220				17,4	16,0	14,2	11,8	10,0
260					11,2	9,7	7,4	5,5
300						6,1	4,4	
335							2,1	

Main boom 105 ft

Radius	Jib length in (ft)							
	66	134	174	213	253	292	331	371
(ft)	lbs	lbs	lbs	lbs	lbs	lbs	lbs	lbs
42,5	258,0							
65	166,6	164,2						
75	139,3	131,4	131,4					
90		109,5	108,0	95,0				
100		96,2	94,8	91,0	69,4			
110		85,6	84,3	82,8	67,9	47,5		
125		73,3	71,9	70,5	64,6	46,0	31,8	
135		66,6	65,3	63,9	62,3	44,7	31,0	21,9
140		63,7	62,4	61,0	59,5	43,9	30,3	21,8
150		55,9	57,3	55,8	54,3	42,6	29,4	20,9
190			37,9	40,9	39,5	37,1	25,9	18,1
225				28,7	31,0	29,5	23,7	16,4
265					20,2	22,7	19,0	13,3
305						12,6	14,4	4,1
340							7,4	

Main boom 134 ft

Radius	Jib length in (ft)							
	66	134	174	213	253	292	331	371
(ft)	lbs	lbs	lbs	lbs	lbs	lbs	lbs	lbs
46,1	233,1							
70	150,4	147,8						
80	127,4	125,1	122,3					
90	33,4	108,2	106,7	88,9				
105		89,6	88,1	85,2	65,1			
115		80,2	78,7	77,2	63,7	45,3		
125		72,4	71,0	69,5	62,1	44,8	30,6	
140		63,0	61,6	60,1	58,6	42,7	29,6	21,0
155		55,4	54,2	52,8	51,2	40,8	28,3	20,0
190			41,5	40,3	38,8	36,9	25,6	17,7
230				28,9	29,5	27,9	23,0	15,9
270					20,2	21,4	18,9	12,8
305						13,8	15,5	4,7
315							13,6	2,7
345							7,7	

Main boom 174 ft

Radius	Jib length in (ft)							
	66	134	174	213	253	292	331	371
(ft)	lbs	lbs	lbs	lbs	lbs	lbs	lbs	lbs
50,9	200,6							
75	136,0	131,4						
85	116,5	114,0	103,1					
90	108,6	106,3	101,5					
95		99,5	97,1	76,4				
110		83,1	81,6	73,8	56,8			
120		74,7	73,2	70,1	55,8	41,7		
130		67,7	66,3	64,7	54,1	41,1	28,8	
160		52,2	51,0	49,5	47,9	37,4	26,8	18,9
195			39,4	38,0	36,4	33,3	24,4	16,8
235				29,0	27,7	26,2	22,1	15,1
275					19,8	20,1	18,4	12,6
310						13,8	14,7	4,8
320							13,2	2,9
350							7,9	

Main boom 194 ft

Radius	Jib length in (ft)							
	66	134	174	213	253	292	331	371
(ft)	lbs	lbs	lbs	lbs	lbs	lbs	lbs	lbs
53,3	184,0							
75	134,8	121,2						
85	115,5	110,7	92,3					
95	100,7	98,4	89,6					
100		92,4	87,0	69,6				
110		82,3	79,8	67,8	52,5			
120		74,0	72,4	65,2	51,3	39,4		
135		64,0	62,5	60,1	48,4	38,6	27,8	
145		58,6	57,1	55,5	44,0	37,6	27,4	19,0
160		51,7	50,4	48,9	39,7	35,6	26,2	18,4
200			37,5	36,2	34,6	30,3	23,5	16,2
235				28,7	27,3	25,7	21,4	14,8
275					20,3	19,7	17,6	12,9
315						13,0	13,6	4,2
350							8,2	

Main boom 233 ft

Radius	Jib length in (ft)							
	134	144						
(ft)	lbs	lbs						
78,2	95,8							
85	93,6	89,7						
90	90,5	87,6						
100	83,5	81,6						
110	76,9	76,3						
120	70,4	69,4						
130	65,1	64,3						
140	59,7	59,4						
145	57,1	57,0						
150	54,8	54,6						
155	52,5	52,4						
160	50,5	50,3						
165	48,5	48,4						
170		46,6						
175		44,8						

TLT 983997914 - M118442 Offiziell

Capacities in 1000 lbs with luffing jib (No. 2316.xx), 273,400 lbs counterweight + 125,700 lbs carbody counterweight. Above lift chart is for reference only. For actual lift duty and complete chart with all available configurations please refer to lift chart in operator's cab or manual.

Lift chart - luffing jib (No. 2316.xx)

Main boom 75°

Main boom 66 ft

Radius	Jib length in (ft)							
	66	134	174	213	253	292	331	371
(ft)	lbs	lbs	lbs	lbs	lbs	lbs	lbs	lbs
60	181,2							
85	100,1	94,2						
105		67,7	67,8					
120		56,7	54,3	52,9				
135		47,7	44,3	44,0	41,1			
155		37,8	36,2	34,3	33,8	32,6		
170			33,1	30,7	29,8	28,4	23,8	
185			29,3	26,8	25,2	24,1	21,8	16,3
190			28,0	25,6	24,1	22,5	20,3	16,5
195			26,7	24,6	23,0	21,1	19,1	16,3
230				18,0	16,8	14,3	12,1	10,4
270					11,5	9,5	7,0	5,1
300						6,9	4,4	2,2
305						6,5	4,1	
345							2,1	

Main boom 105 ft

Radius	Jib length in (ft)							
	66	134	174	213	253	292	331	371
(ft)	lbs	lbs	lbs	lbs	lbs	lbs	lbs	lbs
70	145,0							
95	99,6	97,0						
100		93,4	91,1					
115			76,8	75,1				
130			66,0	64,5	62,8			
145			57,7	56,2	54,6	52,9		
165			49,0	47,7	46,1	44,4	41,0	
180				42,6	41,0	39,4	37,7	26,7
195				38,2	36,8	35,2	33,5	26,1
205				33,4	34,3	32,8	31,2	25,3
240					27,3	25,9	24,3	22,6
280						20,1	18,6	17,1
315							14,8	13,3
330								12,0
355								8,8

Main boom 134 ft

Radius	Jib length in (ft)							
	66	134	174	213	253	292	331	371
(ft)	lbs	lbs	lbs	lbs	lbs	lbs	lbs	lbs
75	129,6							
105	85,9	83,1						
120		70,6	68,8					
140		58,3	56,7	54,9				
155		51,4	49,8	48,1	46,3			
170		45,6	44,2	42,5	40,8	39,1		
175		33,4	42,6	40,9	39,2	37,5		
190			38,2	36,6	34,9	33,2	25,7	
205			34,4	33,0	31,3	29,5	25,0	17,0
210			33,3	31,9	30,2	28,6	24,6	17,0
250				24,6	23,1	21,5	19,7	15,3
285					18,5	16,9	15,3	12,8
325						12,9	11,4	4,8
335							10,6	2,7
365							8,3	

Main boom 174 ft

Radius	Jib length in (ft)							
	66	134	174	213	253	292	331	371
(ft)	lbs	lbs	lbs	lbs	lbs	lbs	lbs	lbs
85	106,4							
115	73,6	70,6						
130		60,7	58,8					
150		50,8	49,0	47,1				
165		45,0	43,3	41,5	39,7			
180		40,1	38,6	36,9	35,1	32,1		
185		33,4	37,2	35,5	33,7	30,9		
200			33,5	31,9	30,1	27,5	24,2	
215			30,3	28,7	27,0	24,7	21,6	15,9
220			29,3	27,8	26,1	23,9	20,8	15,9
260				21,4	19,9	18,2	15,4	12,5
295					15,8	14,3	11,8	9,0
335						10,7	8,8	3,6
345							8,1	2,0
375							5,6	

Main boom 194 ft

Radius	Jib length in (ft)						
	66	134	174	213	253	292	331
(ft)	lbs	lbs	lbs	lbs	lbs	lbs	lbs
90	96,8						
120	68,1	65,0					
135		56,1	54,2				
155		47,2	45,4	43,5			
170		41,9	40,2	38,4	35,7		
185		37,5	35,9	34,2	31,9	28,5	
190		33,1	34,7	33,0	30,8	27,4	
205			31,3	29,6	27,7	24,5	21,2
220			28,3	26,7	24,9	21,9	18,8
225			27,4	25,8	24,1	21,2	18,0
265				19,9	18,3	16,0	13,1
300					14,5	12,8	9,9
340						9,6	7,2
345							6,9
380							4,2

Main boom 233 ft

Radius	Jib length in (ft)						
	134	144					
(ft)	lbs	lbs					
127,6	56,1						
135	52,3	52,0					
140	49,9	49,7					
150	45,8	45,5					
155	43,9	43,7					
160	42,2	41,9					
165	40,5	40,3					
170	39,0	38,8					
175	37,5	37,3					
180	36,1	35,9					
185	34,9	34,7					
190	33,6	33,4					
195	32,4	32,3					
200	30,1	31,2					
210		27,0					

TLT 983997914 - M118442 Offiziell

Capacities in 1000 lbs with luffing jib (No. 2316.xx), 273,400 lbs counterweight + 125,700 lbs carbody counterweight. Above lift chart is for reference only. For actual lift duty and complete chart with all available configurations please refer to lift chart in operator's cab or manual.

Lift chart - luffing jib (No. 2316.xx)

Main boom 65°

Main boom 66 ft

Radius (ft)	Jib length in (ft)							
	66 lbs	134 lbs	174 lbs	213 lbs	253 lbs	292 lbs	331 lbs	371 lbs
80	121,9							
100	81,5							
120		54,6						
140		40,5	41,8					
165		32,9	31,0	31,3				
185			25,8	24,1	21,4			
205			21,4	18,9	17,0			
210				17,9	16,1	13,8		
230				15,1	12,5	10,5	7,7	
240				13,8	11,1	9,2	6,9	
255					9,6	7,3	5,0	4,4
270					8,4	5,8	3,7	2,0
280					7,5	5,0	3,0	
295						4,1	2,1	
320						2,6		

Main boom 105 ft

Radius (ft)	Jib length in (ft)							
	66 lbs	134 lbs	174 lbs	213 lbs	253 lbs	292 lbs	331 lbs	371 lbs
95	94,1							
115	74,5							
135		58,7						
155		49,4	47,6					
180		40,7	39,2	37,5				
185		33,4	37,8	36,1				
200			34,0	32,4	30,6			
220			29,8	28,2	26,6			
225				27,3	25,7	23,9		
245				24,0	22,4	20,7	18,9	
260				21,8	20,3	18,6	16,9	
270					19,0	17,4	15,7	13,2
295					16,2	14,6	13,0	10,7
335						11,0	9,4	6,3
375							6,4	

Main boom 134 ft

Radius (ft)	Jib length in (ft)							
	66 lbs	134 lbs	174 lbs	213 lbs	253 lbs	292 lbs	331 lbs	371 lbs
110	74,9							
125	64,1							
145		50,4						
170		41,2	39,4					
190		35,6	33,9	32,1				
195		34,3	32,8	31,0				
215			28,6	26,9	25,1			
235			25,1	23,5	21,7	19,8		
260				20,0	18,3	16,5	14,1	
270				18,7	17,1	15,4	13,0	
280					16,0	14,3	12,0	9,1
310					13,1	11,4	9,4	6,6
345						8,7	6,6	4,2
360							5,4	2,3
385							3,6	

Main boom 174 ft

Radius (ft)	Jib length in (ft)							
	66 lbs	134 lbs	174 lbs	213 lbs	253 lbs	292 lbs	331 lbs	371 lbs
121,4	61,0							
145	48,9							
161		39,7						
185		33,1	31,2					
210		27,8	26,1	24,2				
230			22,8	21,0	18,8			
250			20,0	18,3	16,4			
255				17,7	15,8	12,9		
275				15,5	13,7	11,0	8,0	
290				14,0	12,3	9,8	6,9	
300					11,4	9,0	6,1	3,3
320					9,8	7,6	4,8	2,0
325					9,4	7,2	4,5	
360						4,5	2,1	
365						4,1		

Main boom 194 ft

Radius (ft)	Jib length in (ft)						
	66 lbs	134 lbs	174 lbs	213 lbs	253 lbs	292 lbs	331 lbs
129,8	53,4						
155	33,4						
170		34,6					
195		28,9	26,9				
215		25,1	23,3	21,3			
220		24,3	22,5	20,6			
240			19,7	17,8	15,1		
260			17,2	15,5	13,0	9,9	
285				13,0	10,9	7,9	5,0
290				12,6	10,5	7,6	4,6
295				12,1	10,1	7,2	4,3
310					9,0	6,2	3,3
330					7,3	4,8	2,2
335					6,9	4,5	
370						2,1	

Main boom 233 ft

Radius (ft)	Jib length in (ft)						
	134 lbs	144 lbs					
185,9	26,1						
190	25,4						
195	24,5	24,2					
200	23,6	23,3					
205	22,8	22,5					
210	22,0	21,7					
215	21,2	21,0					
220	20,5	20,3					
225	19,8	19,6					
230	19,1	18,9					
235	18,5	18,3					
240		17,7					
245		17,1					

TLT 983997914 - M1 18442 Offiziell

Capacities in 1000 lbs with luffing jib (No. 2316.xx), 273,400 lbs counterweight + 125,700 lbs carbody counterweight. Above lift chart is for reference only. For actual lift duty and complete chart with all available configurations please refer to lift chart in operator's cab or manual.

Lift chart - luffing jib (No. 2316.xx)

Main boom 45°

Main boom 66 ft

Radius	Jib length in (ft)								
	66	134	174	213	253	292			
(ft)	lbs	lbs	lbs	lbs	lbs	lbs			
115	73,9								
170		37,7							
185		32,9							
205			26,0						
225			20,7						
235				17,0					
260				12,9					
265					9,7				
300					6,5	5,5			
335						3,6			

Main boom 105 ft

Radius	Jib length in (ft)									
	66	134	174	213	253	292	331			
(ft)	lbs	lbs	lbs	lbs	lbs	lbs	lbs			
137,5	53,5									
145	50,1									
194		31,8								
215		27,6								
227			23,9							
250			20,6							
260				17,6						
290				14,5						
295					12,4					
325					9,9	8,2				
360						5,5	3,0			
365						5,1	2,7			
375							2,0			

Main boom 134 ft

Radius	Jib length in (ft)								
	66	134	174	213	253	292			
(ft)	lbs	lbs	lbs	lbs	lbs	lbs			
158,4	40,5								
165	38,4								
215		24,0							
235		21,1							
249			17,5						
270			15,2						
280				12,4					
310				10,0					
315					7,7				
345					5,4	2,8			
355						2,2			

Main boom 174 ft

Radius	Jib length in (ft)							
	66	134	174	213				
(ft)	lbs	lbs	lbs	lbs				
186,3	27,1							
195	25,4							
245		15,0						
250		14,5						
260		13,5						
275			10,2					
285			9,5					
300			8,3					
308				5,0				
320				4,3				
335				3,3				

Main boom 194 ft

Radius	Jib length in (ft)						
	66	134	174				
(ft)	lbs	lbs	lbs				
200,2	21,5						
210	20,0						
260		11,0					
270		10,2					
275		9,8					
290			5,8				
300			5,2				
310			4,5				
315			4,2				

TLT 983997914 - M118442 Offiziell

Capacities in 1000 lbs with luffing jib (No. 2316.xx), 273,400 lbs counterweight + 125,700 lbs carbody counterweight. Above lift chart is for reference only. For actual lift duty and complete chart with all available configurations please refer to lift chart in operator's cab or manual.

Lift chart - luffing jib (No. 1916.xx)

Main boom 88°

Main boom 95 ft

Radius	Jib length in (ft)							
	66	95	115	154	194	233	272	312
(ft)	lbs	lbs	lbs	lbs	lbs	lbs	lbs	lbs
40			126,5					
50		128,7	113,4	84,5				
55		120,8	108,3	81,2	58,5			
60	128,5	114,4	101,9	78,2	57,5			
65	115,0	107,0	96,9	75,5	56,0	41,1		
75	80,5	95,5	86,4	70,3	53,5	39,1	27,0	
80		88,4	81,5	67,9	52,5	38,3	26,4	17,6
100		61,8	65,1	57,7	48,4	35,3	24,2	16,2
105		33,4	61,7	55,3	47,7	34,6	23,8	15,8
120			48,1	48,5	44,8	32,8	22,3	14,8
160				31,4	35,2	28,7	19,2	12,6
200					22,7	24,6	17,1	10,6
235						16,6	15,8	9,2
275							11,2	7,7
310								6,0

Main boom 134 ft

Radius	Jib length in (ft)							
	66	95	115	154	194	233	272	312
(ft)	lbs	lbs	lbs	lbs	lbs	lbs	lbs	lbs
34,8			147,2					
35	182,6		147,2					
40	175,3	143,0	120,2					
50	156,7	128,5	110,7	81,6				
60	133,2	114,8	100,8	76,5	55,9			
65	119,9	107,8	96,0	73,9	54,4	39,4		
75	90,8	96,9	86,8	69,3	52,0	38,1	26,3	
85		84,2	77,8	65,0	50,2	36,5	25,4	16,9
105		58,7	63,0	56,1	46,4	33,8	23,2	15,6
125			33,4	47,3	43,5	31,7	21,4	14,4
160				32,8	35,6	28,3	18,9	12,4
200					22,7	24,8	16,9	10,5
235						17,5	15,5	9,1
275							11,5	7,7
315								5,7

Main boom 174 ft

Radius	Jib length in (ft)							
	66	95	115	154	194	233	272	312
(ft)	lbs	lbs	lbs	lbs	lbs	lbs	lbs	lbs
30,1	178,6							
40	160,1	134,2						
45	151,3	130,1	110,2					
50	144,6	125,6	106,8	77,3				
60	130,9	113,7	98,5	74,1	53,7			
70	113,0	101,9	91,0	69,6	51,4	37,6		
75	96,5	96,9	86,6	67,6	50,4	36,7	25,3	
85		85,5	77,9	63,7	48,6	35,3	24,6	16,4
105		61,5	63,7	55,8	45,1	32,8	22,6	15,2
125			48,0	47,8	41,4	30,8	20,8	14,0
165				23,8	34,1	27,3	18,1	11,9
200					24,3	24,6	16,5	10,3
240						12,8	15,1	8,8
275							11,8	7,6
315								6,1

Main boom 194 ft

Radius	Jib length in (ft)							
	75	95	115	154	194	233	272	312
(ft)	lbs	lbs	lbs	lbs	lbs	lbs	lbs	lbs
32,8	153,3							
40	145,0	128,5						
45	138,5	125,1	106,3					
50	131,6	120,9	103,5	74,6				
60	119,7	111,3	96,4	72,0	52,2			
70	107,6	101,0	89,2	68,0	50,4	36,8		
75	101,8	96,3	85,6	66,3	49,4	36,0	24,7	
85	83,7	85,8	77,4	62,5	47,4	34,6	24,1	16,1
105		62,7	63,9	55,6	44,2	32,2	22,3	14,9
125			48,7	48,2	39,3	30,2	20,6	13,8
165				25,1	33,2	26,8	17,9	11,7
200					24,6	23,8	16,3	10,2
240						11,8	15,0	8,6
275							11,9	7,5
315								6,3

Main boom 223 ft

Radius	Jib length in (ft)							
	66	95	115	154	194	233	253	262
(ft)	lbs	lbs	lbs	lbs	lbs	lbs	lbs	lbs
32,1	141,7							
40	131,6	113,3						
45	124,1	112,2	96,3					
55	112,5	104,6	92,1	68,6				
60	108,2	100,5	89,9	67,1	48,9			
70	100,4	93,2	84,0	64,1	47,6	34,5		
75	94,3	89,8	81,7	63,0	46,8	34,2	28,7	26,3
80	85,6	87,1	78,1	61,1	45,8	33,4	28,3	26,1
110		28,0	60,8	50,9	35,1	30,1	25,2	23,1
125			49,9	46,2	32,9	28,7	23,8	21,8
165				32,5	29,0	23,5	21,1	19,1
205					15,2	19,8	18,4	17,4
240						17,1	16,0	16,0
260							14,3	14,1
270								9,8

Main boom 243 ft

Radius	Jib length in (ft)					
	66	95	115	154	174	
(ft)	lbs	lbs	lbs	lbs	lbs	
32,5	135,4					
40	126,9	108,8				
45	119,6	108,2	93,3			
55	108,2	101,5	89,8	66,9		
60	103,9	97,3	88,0	65,7	56,5	
70	96,4	90,2	82,1	62,8	54,6	
80	85,5	84,0	76,5	59,8	52,6	
100		70,4	65,4	53,2	42,6	
110		29,2	60,2	49,6	40,4	
120			53,9	46,7	39,1	
125			50,1	45,0	38,5	
160				34,3	33,8	
165				32,5	32,9	
180					29,3	
185					14,7	

TLT 983997914 - M118442 Offiziell

Capacities in 1000 lbs with luffing jib (No. 1916.xx), 273,400 lbs counterweight + 125,700 lbs carbody counterweight. Above lift chart is for reference only. For actual lift duty and complete chart with all available configurations please refer to lift chart in operator's cab or manual.

Lift chart - luffing jib (No. 1916.xx)

Main boom 83°

Main boom 95 ft

Radius	Jib length in (ft)							
	66	95	115	154	194	233	272	312
(ft)	lbs	lbs	lbs	lbs	lbs	lbs	lbs	lbs
41,3	186,5							
50	173,7	142,3						
60	152,5	127,6	113,0					
70	125,0	113,3	101,4	78,0				
80	97,1	100,9	91,4	73,1	54,0			
95		81,4	77,4	65,6	51,2	37,3		
105		69,3	68,5	59,8	49,0	35,7	24,6	
110		61,9	64,8	57,4	48,2	35,1	24,2	
115			61,5	55,3	47,4	34,4	23,6	15,6
130			48,6	48,0	44,7	32,7	22,1	14,7
170				30,5	34,9	28,7	19,0	12,5
205					25,4	25,0	17,3	10,8
245						17,6	15,6	9,2
280							12,2	7,9
320								6,2

Main boom 134 ft

Radius	Jib length in (ft)							
	66	95	115	154	194	233	272	312
(ft)	lbs	lbs	lbs	lbs	lbs	lbs	lbs	lbs
46,1	182,7							
55	171,5	137,6						
65	151,3	124,8	109,0					
75	124,9	111,8	99,0	75,4				
85	99,4	100,1	89,9	70,9	52,1			
100		81,8	76,7	64,5	49,6	36,0		
110		70,4	68,4	59,6	47,6	34,6	23,7	
115		63,5	64,9	57,4	46,9	34,1	23,5	
120			61,8	55,6	46,3	33,4	22,9	15,2
135			49,7	48,5	43,9	31,8	21,5	14,3
175				30,8	35,0	28,2	18,7	12,2
210					25,1	25,2	17,0	10,6
250						17,5	15,4	9,0
285							12,4	7,9
325								6,3

Main boom 174 ft

Radius	Jib length in (ft)							
	66	95	115	154	194	233	272	312
(ft)	lbs	lbs	lbs	lbs	lbs	lbs	lbs	lbs
50,9	175,5							
60	161,7	130,4						
70	144,1	121,3	104,2					
80	122,6	109,9	95,8	72,0				
90	99,4	98,8	88,2	68,3	50,0			
100		86,4	79,3	64,2	48,6	34,6		
115		70,4	68,0	58,5	46,1	33,3	22,9	
120		63,7	64,6	56,6	45,4	32,8	22,7	
125			61,7	54,9	44,8	32,2	22,2	14,8
140			49,9	48,3	42,6	30,7	20,9	14,0
180				27,0	34,7	27,5	18,2	11,8
215					25,3	24,9	16,6	10,3
255						15,1	15,2	8,8
290							12,4	7,7
330								6,2

Main boom 194 ft

Radius	Jib length in (ft)							
	66	95	115	154	194	233	272	312
(ft)	lbs	lbs	lbs	lbs	lbs	lbs	lbs	lbs
53,3	165,6							
65	148,7	124,3						
70	139,1	120,4	101,7					
80	123,3	111,1	95,4	70,1				
95	92,0	95,5	84,4	65,8	48,8			
105		83,1	76,8	62,2	47,1	33,7		
115		73,6	69,4	58,7	45,5	32,9	22,4	
125		33,2	62,8	55,2	44,2	31,9	22,0	
130			59,7	53,8	43,5	31,3	21,5	14,4
140			51,9	49,4	41,9	30,4	20,7	13,9
180				33,5	34,9	27,2	18,1	11,7
220					19,1	24,4	16,3	10,1
255						18,3	15,1	8,8
295							10,1	7,6
330								6,5

Main boom 223 ft

Radius	Jib length in (ft)							
	66	95	115	154	194	233	253	262
(ft)	lbs	lbs	lbs	lbs	lbs	lbs	lbs	lbs
58,1	141,5							
70	127,6	109,9						
75	120,0	107,6	92,3					
85	107,4	100,8	88,3	65,1				
100	88,9	88,5	79,6	61,9	45,6			
110		80,3	73,6	58,8	44,3	31,8		
115		77,0	70,8	57,7	43,3	31,6	26,0	
120		72,2	67,5	55,8	42,2	31,1	25,9	23,6
130		32,2	61,9	52,7	40,5	30,2	25,0	23,0
145			51,6	47,7	38,1	28,8	23,8	21,8
185				33,5	32,5	25,6	21,2	19,2
225					15,6	22,8	19,4	17,5
260						18,1	17,2	16,2
280							15,0	14,5
290								13,7

Main boom 243 ft

Radius	Jib length in (ft)				
	66	95	115	154	174
(ft)	lbs	lbs	lbs	lbs	lbs
59,3	132,5				
70	120,1	106,2			
75	114,4	103,6	89,6		
90	99,2	92,8	83,7	63,4	
95	94,9	89,1	81,5	62,2	53,6
100	89,6	86,1	78,6	60,9	52,9
110		79,0	72,8	57,8	50,6
120		72,3	67,3	55,1	47,2
130		61,4	62,0	52,0	44,7
140			56,1	49,5	42,2
150			25,7	45,6	40,3
180				35,7	35,8
185				33,9	34,8
200					30,8
205					29,4

TLT 983997914 - M118442 Offiziell

Capacities in 1000 lbs with luffing jib (No. 1916.xx), 273,400 lbs counterweight + 125,700 lbs carbody counterweight. Above lift chart is for reference only. For actual lift duty and complete chart with all available configurations please refer to lift chart in operator's cab or manual.

Lift chart - luffing jib (No. 1916.xx)

Main boom 75°

Main boom 95 ft

Radius	Jib length in (ft)							
	66	95	115	154	194	233	272	312
(ft)	lbs	lbs	lbs	lbs	lbs	lbs	lbs	lbs
63	167,7							
80	124,9	120,4						
85	116,0	114,3	101,2					
95	98,4	99,8	92,3					
105		86,1	81,5	67,7				
120		69,9	68,3	60,3	48,8			
125		63,8	64,5	57,4	48,0			
135			57,6	53,0	46,4	33,2		
155				43,4	42,9	31,3	21,1	
170				38,1	38,8	29,9	19,9	13,0
180				34,6	35,8	29,2	19,3	12,5
220					26,8	25,0	17,2	10,7
260						18,9	15,7	9,2
295							13,3	8,0
335								6,0

Main boom 134 ft

Radius	Jib length in (ft)							
	66	95	115	154	194	233	272	312
(ft)	lbs	lbs	lbs	lbs	lbs	lbs	lbs	lbs
75	130,8							
90	104,9	104,0						
95	98,3	97,5	96,8					
105	87,1	86,5	85,9					
115		77,6	77,1	64,1				
130		67,0	66,6	58,6	47,1			
135		64,0	63,6	56,3	46,7			
145			58,4	52,9	45,2	31,9		
155			51,7	47,9	43,8	31,4		
180				38,6	39,2	29,2	18,8	12,5
190				35,1	36,5	28,5	18,3	12,2
230					27,4	25,4	16,4	10,5
270						19,4	15,1	9,1
305							13,3	7,9
345								6,1

Main boom 174 ft

Radius	Jib length in (ft)							
	66	95	115	154	194	233	272	312
(ft)	lbs	lbs	lbs	lbs	lbs	lbs	lbs	lbs
85	107,8							
100	88,7	87,8						
105	83,7	82,8	82,1					
115	75,0	74,3	73,7					
125		67,3	66,7	64,3				
140		58,7	58,2	57,0	45,2			
145		56,2	55,8	54,7	44,9			
165			47,6	46,7	42,5	30,2		
175				43,4	41,5	29,4	19,6	
190				39,2	38,1	28,3	18,8	12,1
200				35,7	35,6	27,6	18,3	11,8
240					26,8	25,0	16,5	10,2
280						17,9	15,2	8,8
315							13,5	7,8
355								6,1

Main boom 194 ft

Radius	Jib length in (ft)							
	66	95	115	154	194	233	272	312
(ft)	lbs	lbs	lbs	lbs	lbs	lbs	lbs	lbs
90	98,3							
105	81,7	80,7						
110	77,3	76,4	75,7					
120	69,6	68,9	68,2					
130		62,6	61,9	60,7				
145		54,9	54,3	53,1	44,0			
150		52,6	52,1	51,0	43,8			
160			48,2	47,1	42,6	29,8		
170			44,7	43,7	41,6	29,5		
180				40,7	39,5	28,7	19,1	
205				34,5	33,4	27,2	18,0	11,6
245					26,3	24,8	16,3	10,0
285						18,7	15,2	8,7
320							13,5	7,7
360								6,3

Main boom 223 ft

Radius	Jib length in (ft)							
	66	95	115	154	194	233	253	262
(ft)	lbs	lbs	lbs	lbs	lbs	lbs	lbs	lbs
100	81,9							
115	69,3	68,3						
120	65,9	64,9	64,1					
130	59,8	59,0	58,3					
140		53,9	53,3	51,9				
155		47,7	47,1	45,8	41,1			
160		45,8	45,3	44,1	41,0			
170			42,0	40,9	39,6	28,0		
180			39,1	38,1	36,8	27,9	22,5	
185				36,8	35,5	27,6	22,5	20,3
215				30,3	29,1	25,9	21,0	19,0
255					23,0	21,9	19,5	17,5
295						16,9	17,0	16,2
310							15,6	15,4
320								14,6

Main boom 243 ft

Radius	Jib length in (ft)					
	66	95	115	154	174	
(ft)	lbs	lbs	lbs	lbs	lbs	
105	76,0					
115	68,2	67,1				
125	61,7	60,8	60,0			
135	56,1	55,4	54,7			
140		53,0	52,3	51,0		
150		48,8	48,1	46,8	46,1	
155		46,9	46,3	45,0	44,3	
160		45,0	44,5	43,2	42,6	
165		33,4	42,8	41,6	41,0	
170			41,3	40,1	39,5	
180			38,4	37,3	36,7	
200				32,6	32,1	
220				28,8	28,3	
230					26,6	
240					21,7	

TLT 983997914 - M118442 Offiziell

Capacities in 1000 lbs with luffing jib (No. 1916.xx), 273,400 lbs counterweight + 125,700 lbs carbody counterweight. Above lift chart is for reference only. For actual lift duty and complete chart with all available configurations please refer to lift chart in operator's cab or manual.

Lift chart - luffing jib (No. 1916.xx)

Main boom 65°

Main boom 95 ft

Radius	Jib length in (ft)							
	66	95	115	154	194	233	272	312
(ft)	lbs	lbs	lbs	lbs	lbs	lbs	lbs	lbs
90	103,4							
110	81,2	80,6						
120		72,6	72,0					
140		60,3	59,9	57,7				
160			50,9	48,5				
165				46,2	43,2			
185				39,2	39,5	29,1		
195				36,1	36,1	28,6		
210					33,4	27,6	17,9	
230					29,4	25,3	17,0	10,6
235					28,4	24,8	16,8	10,6
250						23,4	16,3	10,0
275						20,1	15,6	9,1
310							13,9	8,0
350								6,3

Main boom 134 ft

Radius	Jib length in (ft)							
	75	95	115	154	194	233	272	312
(ft)	lbs	lbs	lbs	lbs	lbs	lbs	lbs	lbs
115	72,1							
125	65,3	64,8						
135	59,5	59,1	58,4					
140	33,4	56,6	55,9					
155		50,0	49,5					
160			47,6	46,4				
175			42,6	41,5				
180				40,1	38,9			
205				34,0	32,9	27,8		
215				32,0	30,9	27,3		
225					29,1	26,7	17,2	
250					25,2	24,1	16,4	10,1
290						19,3	15,3	8,9
330							14,1	7,8
365								6,9

Main boom 174 ft

Radius	Jib length in (ft)							
	66	95	115	154	194	233	272	312
(ft)	lbs	lbs	lbs	lbs	lbs	lbs	lbs	lbs
121,4	62,8							
140	52,9	52,0						
145	50,7	49,8						
150		47,8	47,1					
175		39,5	39,0	37,7				
195			33,4	32,9	31,5			
220				28,1	26,9	25,5		
230				26,5	25,3	24,0		
240					23,9	22,6	16,4	
265					20,7	19,5	15,8	9,6
270					20,1	19,0	15,7	9,6
305						15,6	14,5	8,6
345							11,5	7,6
380								6,9
385								6,4

Main boom 194 ft

Radius	Jib length in (ft)							
	66	95	115	154	194	233	272	312
(ft)	lbs	lbs	lbs	lbs	lbs	lbs	lbs	lbs
129,8	55,3							
150	46,4	45,4						
155	33,4	43,6						
160		42,0	41,2					
180		36,2	35,6					
185			34,4	33,2				
200			31,2	30,0				
205				29,0	27,7			
230				24,9	23,7	22,3		
240				23,4	22,3	21,0		
250					21,0	19,7	16,0	
275					18,2	17,0	15,5	9,3
315						13,6	12,4	8,3
355							9,8	7,5
390								6,6

Main boom 223 ft

Radius	Jib length in (ft)							
	66	95	115	154	194	233	253	262
(ft)	lbs	lbs	lbs	lbs	lbs	lbs	lbs	lbs
146,4	42,6							
165	36,7	35,7						
170	35,3	34,4						
175		33,2	32,4					
200		27,9	27,3	25,9				
220			24,0	22,8	21,3			
245				19,6	18,3	16,6		
255				18,4	17,2	15,6	14,5	
260					16,7	15,2	14,1	13,6
295					13,6	12,4	11,5	11,0
300						12,0	11,2	10,7
330						10,0	9,4	9,0
340							8,9	8,5
350							8,3	7,9
360								7,3

Main boom 243 ft

Radius	Jib length in (ft)				
	66	95	115	154	174
(ft)	lbs	lbs	lbs	lbs	lbs
150,6	39,7				
170	34,1	33,1			
175	32,9	31,9			
180		30,8	30,0		
205		26,0	25,4	24,0	
210			24,6	23,2	
215			23,8	22,5	21,8
220			23,0	21,8	21,1
230				20,5	19,8
240				19,2	18,6
250				18,1	17,5
260				17,1	16,5
270					15,6
275					15,1
280					14,7

TLT 983997914 - M118442 Offiziell

Capacities in 1000 lbs with luffing jib (No. 1916.xx), 273,400 lbs counterweight + 125,700 lbs carbody counterweight. Above lift chart is for reference only. For actual lift duty and complete chart with all available configurations please refer to lift chart in operator's cab or manual.

Lift chart - luffing jib ((No. 1916.xx)

Main boom 45°

Main boom 95 ft

Radius	Jib length in (ft)							
	66	95	115	154	194	233	272	312
(ft)	lbs	lbs	lbs	lbs	lbs	lbs	lbs	lbs
130,6	60,5							
140	55,6							
155		48,5						
170		33,4						
175			41,2					
185			38,5					
205				32,8				
225				29,0				
240					25,5			
265					22,2			
270						20,5		
300						17,4	14,6	
335							13,4	7,6
340							13,0	7,5
375								7,1

Main boom 134 ft

Radius	Jib length in (ft)							
	66	95	115	154	194	233	272	312
(ft)	lbs	lbs	lbs	lbs	lbs	lbs	lbs	lbs
158,4	42,4							
165	40,3							
185		34,1						
195		31,9						
200			30,3					
215			27,5					
231				23,8				
250				21,4				
265					18,4			
290					16,1			
300						14,0		
330						11,8	10,6	
360							8,8	7,1
365							8,5	7,1
405								5,3

Main boom 174 ft

Radius	Jib length in (ft)						
	66	95	115	154	194	233	272
(ft)	lbs	lbs	lbs	lbs	lbs	lbs	lbs
186,3	29,2						
195	27,5						
215		23,3					
225		21,8					
230			20,5				
240			19,3				
260				15,9			
280				14,2			
295					11,8		
320					10,1		
325						8,5	
355						7,0	
360							4,9
395							3,2

Main boom 194 ft

Radius	Jib length in (ft)						
	66	95	115	154	194	233	
(ft)	lbs	lbs	lbs	lbs	lbs	lbs	
200,2	23,6						
205	22,9						
210	22,1						
225		19,1					
235		18,0					
245			16,3				
255			15,3				
275				12,3			
295				10,9			
305					8,9		
330					7,6		
340						5,1	
360						4,1	
370						3,6	

Main boom 223 ft

Radius	Jib length in (ft)			
	66	95	115	154
(ft)	lbs	lbs	lbs	lbs
228	14,3			
235	13,6			
253		11,1		
265		10,2		
270			8,9	
285			7,9	
305				4,8
320				4,1

Main boom 243 ft

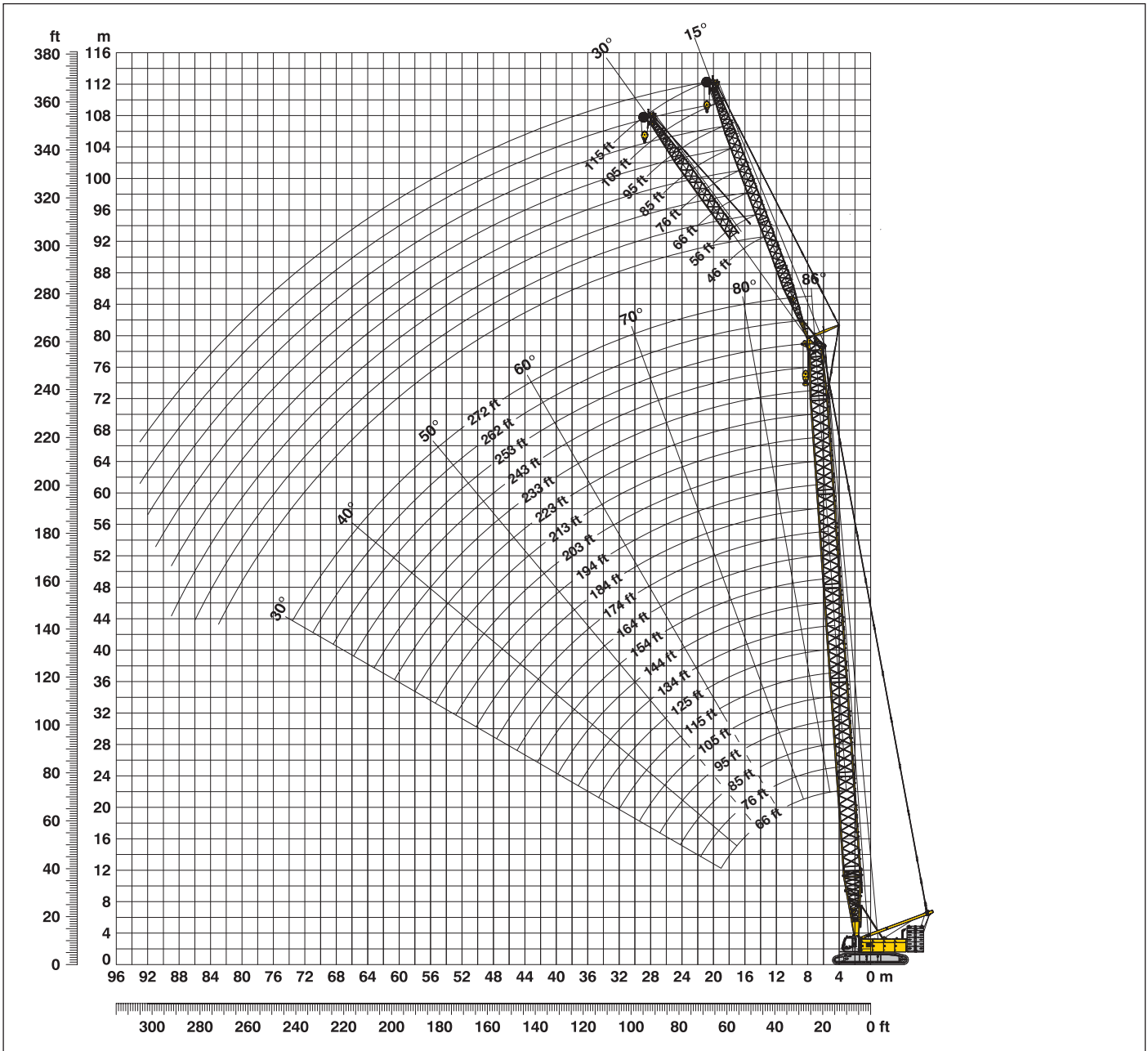
Radius	Jib length in (ft)			
	66	95	115	154
(ft)	lbs	lbs	lbs	lbs
235	12,1			
245	11,3			
260		8,7		
270		8,1		
280			6,4	
290			5,8	
310				2,8
325				2,2

TLT 983997914 - M118442 Offiziell

Capacities in 1000 lbs with luffing jib (No. 1916.xx), 273,400 lbs counterweight + 125,700 lbs carbody counterweight. Above lift chart is for reference only. For actual lift duty and complete chart with all available configurations please refer to lift chart in operator's cab or manual.

Working range - fixed jib No. 1713.xx) 15° und 30°

Main boom 88° - 30°



Boom configuration for boom lengths 66 ft - 272 ft – see table 1 on page 12

Fixed jib configuration for fixed jib lengths (46 ft - 115 ft)

	Length*	Amount of fixed jib extensions							
Fixed jib foot	23 ft	1	1	1	1	1	1	1	1
Fixed jib insert	10 ft		1		1		1		1
Fixed jib insert	20 ft			1	1			1	1
Fixed jib insert	40 ft					1	1	1	1
Fixed jib head	23 ft	1	1	1	1	1	1	1	1
Fixed jib length (ft)		46	56	66	76	85	95	105	115

*Actual lengths of boom sections are metric (e.g. 3 m, 6 m, 7 m, 12 m). The figures shown above are approximate conversions to feet.

Lift chart - fixed jib (No. 1713.xx)

Offset 15°

Main boom 66 ft

Radius	Fixed jib length in (ft)			
	46	75	95	115
(ft)	lbs	lbs	lbs	lbs
45	97,3			
50	90,4	63,5	53,7	
55	85,9	59,7	50,7	44,6
60	80,3	56,5	47,0	41,6
70	70,9	49,9	41,8	36,5
80	63,4	44,5	36,9	33,1
90	58,0	39,9	33,4	29,9
100	53,5	36,4	30,3	27,7
110	48,9	33,3	28,6	25,0
140		27,6	22,8	19,6
155			20,8	17,8
175				15,7

Main boom 95 ft

Radius	Fixed jib length in (ft)			
	46	75	95	115
(ft)	lbs	lbs	lbs	lbs
40	121,3			
45	111,4	75,1		
50	104,0	70,4	58,6	48,5
60	90,2	61,4	51,4	42,4
70	81,6	55,6	45,5	37,8
80	73,1	50,0	40,9	33,9
100	61,2	41,5	34,1	28,8
120	54,2	35,7	29,4	24,5
135	48,9	32,9	26,9	22,0
165		28,7	22,6	18,2
185			20,6	16,5
200				15,4

Main boom 125 ft

Radius	Fixed jib length in (ft)			
	46	75	95	115
(ft)	lbs	lbs	lbs	lbs
35	129,6			
40	127,8	81,2		
45	118,5	75,9	62,7	
55	104,7	67,3	55,2	45,7
80	81,7	52,8	43,0	35,4
100	69,0	44,8	36,1	29,9
120	59,9	38,7	31,1	26,0
140	54,6	34,3	28,2	22,6
160	45,2	31,0	25,1	20,2
190		27,3	22,0	17,4
210			20,3	16,0
230				14,9

Main boom 154 ft

Radius	Fixed jib length in (ft)			
	46	75	95	115
(ft)	lbs	lbs	lbs	lbs
30	132,3			
40	127,5	83,2		
45	124,2	78,7	64,0	
55	110,0	70,4	57,0	46,7
70	94,8	60,9	49,3	40,4
110	69,7	45,6	36,1	30,5
150	48,7	36,0	29,4	23,9
170	39,9	32,7	26,8	21,5
185	34,5	31,7	25,0	20,0
215		27,6	22,4	17,6
235			21,0	16,4
255				15,4

Main boom 184 ft

Radius	Fixed jib length in (ft)			
	46	75	95	115
(ft)	lbs	lbs	lbs	lbs
27,9	132,3			
40	128,0	82,2		
50	120,9	74,0	59,6	
55	114,4	70,4	57,1	46,9
70	100,5	61,8	50,1	40,9
110	75,5	46,8	37,4	32,0
150	47,2	37,6	30,3	25,4
190	31,6	31,7	25,9	20,9
210	26,0	27,5	23,9	19,2
240		20,7	21,6	17,3
260			17,9	16,3
280				15,4

Main boom 203 ft

Radius	Fixed jib length in (ft)			
	46	75	95	115
(ft)	lbs	lbs	lbs	lbs
28,6	132,3			
40	128,8	82,3		
50	123,0	74,8	59,0	
55	117,0	71,1	56,7	47,1
70	103,1	63,0	50,1	41,3
110	74,5	48,2	38,1	33,0
150	46,2	39,0	30,8	26,4
190	30,6	31,9	26,3	21,8
230	20,4	21,7	22,7	18,6
255		16,9	17,8	17,2
275			14,5	15,2
295				12,3

Main boom 223 ft

Radius	Fixed jib length in (ft)			
	46	75	95	115
(ft)	lbs	lbs	lbs	lbs
29,6	132,3			
45	126,2	79,2		
50	122,8	76,5	60,5	
55	119,9	73,0	58,1	46,9
80	99,5	60,9	48,6	39,0
120	64,1	48,6	38,2	32,1
160	40,0	40,2	31,6	26,3
200	26,2	27,6	27,2	22,0
255	14,2	15,5	16,4	17,1
285		10,8	11,7	12,3
300			9,6	10,3
320				7,8

Main boom 253 ft

Radius	Fixed jib length in (ft)			
	46	75	95	115
(ft)	lbs	lbs	lbs	lbs
30,3	132,3			
45	126,3	78,4		
50	122,0	75,6	59,9	
60	114,4	69,8	55,7	44,5
110	72,2	52,0	41,0	32,8
150	43,7	42,6	33,9	27,8
180	31,3	33,0	29,7	24,4
220	20,1	21,5	22,5	20,9
270	10,8	12,0	12,9	13,6
300		7,8	8,7	9,3
320			6,0	6,8
340				4,0

Main boom 272 ft

Radius	Fixed jib length in (ft)			
	46	56	66	75
(ft)	lbs	lbs	lbs	lbs
31	125,2			
35	124,8	106,7		
40	124,6	104,7	92,5	
45	122,2	103,2	88,4	76,9
80	100,1	84,3	69,6	61,8
120	62,1	62,7	57,4	49,8
160	37,9	38,5	39,2	39,8
240	14,8	15,2	15,8	16,2
290	6,6	7,0	7,7	8,1
295		6,2	6,9	7,2
305			5,3	5,6
315				4,1

TLT 983997914 - M118442 Offiziell

Capacities in 1000 lbs with fixed jib (No. 1713.xx), 273,400 lbs counterweight + 125,700 lbs carbody counterweight. Above lift chart is for reference only. For actual lift duty and complete chart with all available configurations please refer to lift chart in operator's cab or manual.

Lift chart - fixed jib (No. 1713.xx)

Offset 30°

Main boom 66 ft

Radius (ft)	Fixed jib length in (ft)			
	46 lbs	75 lbs	95 lbs	115 lbs
50	69,7			
60	63,7	43,8		
65	61,9	41,9	35,0	
75	57,1	38,5	32,8	27,7
80	55,3	36,8	31,7	27,3
90	51,5	34,1	29,4	25,1
100	49,1	32,1	27,0	23,1
105	48,3	31,6	26,2	22,2
110	47,5	31,0	25,2	21,3
140		27,4	21,1	17,4
160			19,9	15,7
180				14,8

Main boom 95 ft

Radius (ft)	Fixed jib length in (ft)			
	46 lbs	75 lbs	95 lbs	115 lbs
45	80,6			
55	72,9	49,3		
65	66,8	45,0	36,7	
80	59,7	39,9	33,4	27,4
100	53,0	34,8	28,9	23,5
110	50,4	32,6	27,1	22,0
120	48,6	31,5	25,6	20,6
130	47,5	30,2	24,1	19,5
135	47,0	29,6	23,5	18,9
165		27,4	20,9	16,3
185			20,2	15,2
205				14,6

Main boom 125 ft

Radius (ft)	Fixed jib length in (ft)			
	46 lbs	75 lbs	95 lbs	115 lbs
40	86,5			
55	75,7	48,8		
70	67,8	43,6	34,7	
80	63,5	40,4	32,3	28,1
100	56,6	35,8	28,7	24,5
120	51,9	32,4	25,6	21,8
140	48,6	30,3	23,3	19,7
150	47,8	29,2	22,4	18,7
160	45,5	28,3	21,6	17,9
190		26,9	19,9	16,0
210			19,4	15,2
230				14,8

Main boom 154 ft

Radius (ft)	Fixed jib length in (ft)			
	46 lbs	75 lbs	95 lbs	115 lbs
37,5	66,4			
55	78,0	49,8		
70	70,6	44,8	35,6	
80	66,3	42,1	33,4	28,2
100	59,9	37,9	30,6	25,0
120	54,9	34,6	27,6	22,5
140	51,2	32,1	25,4	20,3
180	36,5	29,0	22,0	17,4
185	34,7	28,7	21,7	17,1
215		27,8	20,4	15,7
235			20,1	15,1
255				14,8

Main boom 184 ft

Radius (ft)	Fixed jib length in (ft)			
	46 lbs	75 lbs	95 lbs	115 lbs
38,5	66,4			
60	76,6	47,3		
70	72,0	44,5	35,3	
80	68,6	42,3	33,3	27,3
100	62,9	38,5	30,3	24,6
120	58,1	35,2	27,8	22,3
160	43,3	30,6	23,8	19,1
200	29,0	27,7	21,2	16,7
215	24,9	26,9	20,5	16,1
240		21,0	19,9	15,2
260			18,2	14,9
280				14,6

Main boom 203 ft

Radius (ft)	Fixed jib length in (ft)			
	46 lbs	75 lbs	95 lbs	115 lbs
39,2	66,4			
60	77,7	47,1		
70	73,3	44,6	35,4	
80	70,0	42,6	33,6	27,5
120	59,4	35,7	28,1	23,2
160	42,4	31,1	24,3	19,9
200	28,1	28,3	21,7	17,4
220	22,9	24,7	20,8	16,6
230	20,5	22,4	20,4	16,2
260		16,2	17,5	15,3
280			14,0	15,0
300				11,8

Main boom 223 ft

Radius (ft)	Fixed jib length in (ft)			
	46 lbs	75 lbs	95 lbs	115 lbs
45	84,7			
60	78,2	47,9		
70	74,6	45,6	35,7	
85	69,9	42,8	33,2	27,3
100	65,7	40,0	31,6	25,5
140	51,6	34,9	27,1	21,9
180	33,1	31,0	24,0	19,2
220	21,6	23,5	21,8	17,1
255	14,4	16,1	17,3	15,9
285		11,0	12,2	13,1
305			9,2	10,2
325				7,4

Main boom 253 ft

Radius (ft)	Fixed jib length in (ft)			
	46 lbs	75 lbs	95 lbs	115 lbs
45	84,2			
60	78,0	47,7		
70	74,8	45,6	35,6	
85	70,0	42,8	33,2	27,2
120	61,8	37,6	29,4	23,6
160	40,2	33,3	25,9	20,5
200	25,9	28,1	23,2	18,3
240	16,4	18,2	19,4	16,6
270	11,0	12,6	13,8	14,8
300		8,0	9,2	10,1
320			6,3	7,4
340				4,3

Main boom 272 ft

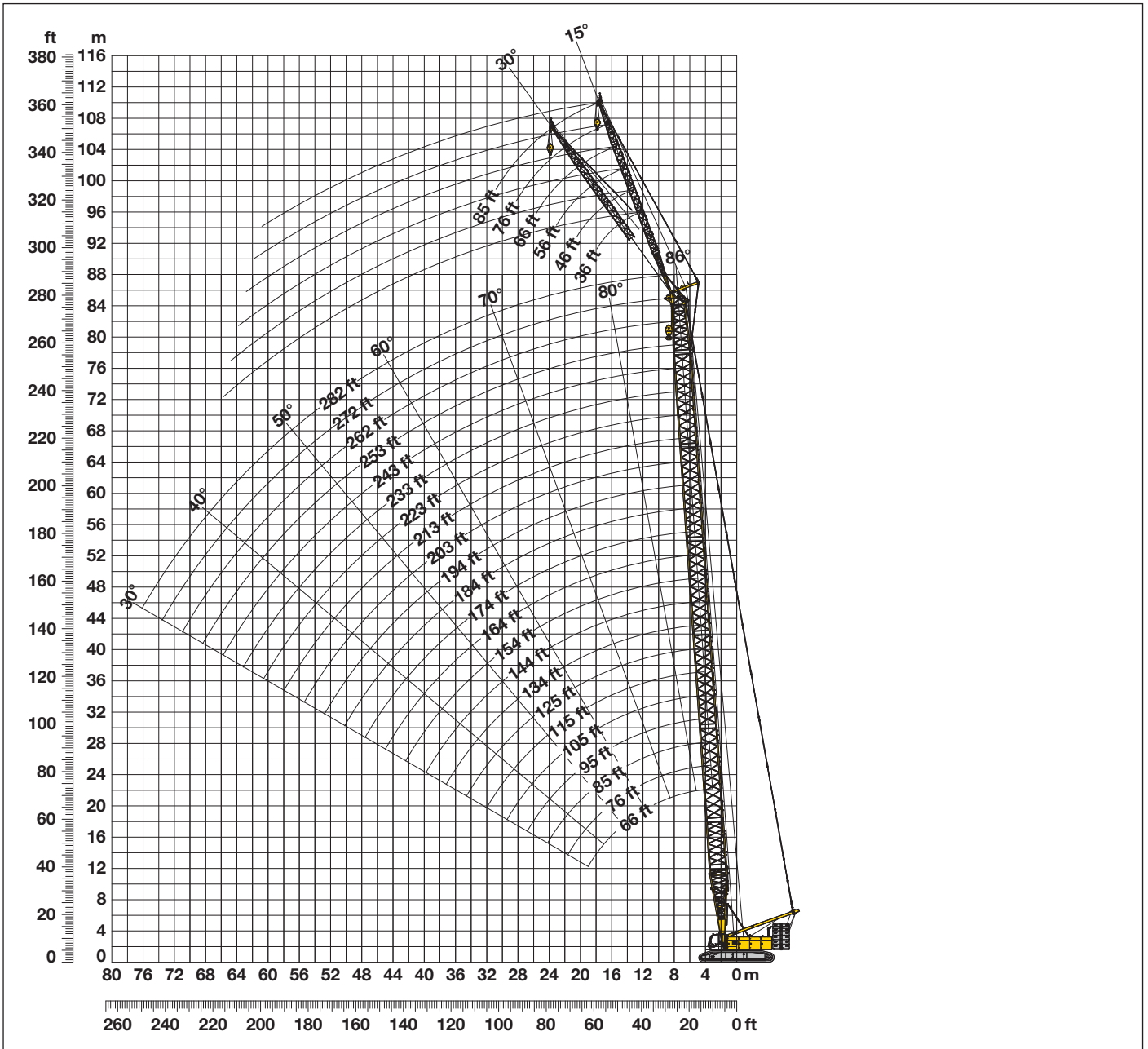
Radius (ft)	Fixed jib length in (ft)			
	46 lbs	56 lbs	66 lbs	75 lbs
41,6	66,4			
50	82,1	68,1		
55	80,1	66,5	55,7	
60	78,1	65,1	54,4	47,3
140	49,8	48,9	40,7	35,2
180	31,3	32,1	33,1	31,5
220	19,7	20,3	21,1	21,7
260	11,7	12,2	12,9	13,4
290	6,8	7,4	8,2	8,6
300		5,6	6,4	7,0
310			4,7	5,3
320				3,6

TLT 983997914 - M118442 Offiziell

Capacities in 1000 lbs with fixed jib (No. 1713.xx), 273,400 lbs counterweight + 125,700 lbs carbody counterweight. Above lift chart is for reference only. For actual lift duty and complete chart with all available configurations please refer to lift chart in operator's cab or manual.

Working range - fixed jib (No. 1008.xx) 15° und 30°

Main boom 88° - 30°



Boom configuration for boom lengths 66 ft - 282 ft – see table 1 on page 12

Fixed jib configuration for fixed jib lengths (36 ft - 85 ft)

	Length*	Amount of fixed jib extensions					
Fixed jib foot	18 ft	1	1	1	1	1	1
Fixed jib insert	10 ft		1		1		1
Fixed jib insert	20 ft			1	1	2	2
Fixed jib head	18 ft	1	1	1	1	1	1
Fixed jib length (ft)		36	46	56	66	76	85

Lift chart - fixed jib (No. 1008.xx)

Offset 15°

Main boom 66 ft

Radius	Fixed jib length in (ft)			
	36	46	66	85
(ft)	lbs	lbs	lbs	lbs
45	99,2	82,6		
55	89,4	76,8	57,7	
60	83,1	70,8	53,1	42,3
65	78,1	65,6	49,4	40,0
70	72,8	62,6	46,5	37,2
75	68,2	60,5	43,5	35,0
80	64,8	56,8	41,0	33,4
90	60,4	50,8	37,0	30,7
100	54,9	46,3	33,6	28,2
110		42,5	31,7	26,0
130			27,6	22,2
150				19,6

Main boom 95 ft

Radius	Fixed jib length in (ft)			
	36	46	66	85
(ft)	lbs	lbs	lbs	lbs
40	99,2	90,8		
45	99,2	87,8	70,3	
50	99,2	85,2	64,8	48,9
60	97,2	80,1	59,3	44,7
80	77,1	65,2	47,0	36,0
100	64,5	56,2	38,9	30,7
110	61,2	51,7	35,9	28,3
120	56,8	48,2	33,3	26,4
125	54,9	46,6	32,5	25,4
135		43,7	31,5	23,7
155			28,2	21,2
175				19,2

Main boom 125 ft

Radius	Fixed jib length in (ft)			
	36	46	66	85
(ft)	lbs	lbs	lbs	lbs
30	99,2			
35	99,2	93,9		
40	99,2	92,3	73,5	
45	99,2	88,9	70,0	51,8
60	99,2	81,3	60,4	46,7
80	87,3	71,5	49,9	38,5
100	73,3	60,2	42,1	33,4
120	63,0	52,2	36,6	29,3
150	50,1	44,1	32,3	24,6
160		42,0	30,9	23,3
180			28,3	21,3
200				19,7

Main boom 154 ft

Radius	Fixed jib length in (ft)			
	36	46	66	85
(ft)	lbs	lbs	lbs	lbs
30	99,2	96,6		
40	99,2	93,8	75,3	
45	99,2	92,2	72,3	51,6
60	99,2	86,0	63,2	47,3
80	97,7	78,4	54,6	40,3
100	81,5	67,5	46,7	34,4
120	67,9	61,2	40,5	31,5
160	44,2	45,0	33,0	25,4
175	38,2	39,0	32,3	23,6
185		35,5	31,1	22,6
205			28,8	21,0
225				19,7

Main boom 184 ft

Radius	Fixed jib length in (ft)			
	36	46	66	85
(ft)	lbs	lbs	lbs	lbs
23,4	99,2			
30	99,2	95,8		
35	99,2	94,7	75,3	
45	99,2	92,0	71,6	51,4
80	98,5	78,6	56,6	41,5
120	66,4	62,3	42,7	33,4
160	42,7	43,5	34,6	27,3
185	33,4	34,1	32,3	24,4
200	28,9	29,6	31,0	23,0
210		26,9	28,3	22,2
230			23,6	20,9
250				19,7

Main boom 203 ft

Radius	Fixed jib length in (ft)			
	36	46	66	85
(ft)	lbs	lbs	lbs	lbs
24,1	99,2			
30	99,2	95,6		
40	99,2	93,3	73,1	
45	99,2	92,1	71,7	51,1
80	98,3	80,2	57,8	42,3
120	65,5	63,4	44,7	33,4
160	41,7	42,5	36,3	28,3
200	27,8	28,5	29,9	24,0
220	22,8	23,5	24,8	22,4
230		21,3	22,6	21,8
245			19,6	20,7
265				17,2

Main boom 223 ft

Radius	Fixed jib length in (ft)			
	36	46	66	85
(ft)	lbs	lbs	lbs	lbs
24,7	99,2			
30	99,2	95,2		
40	99,2	93,3	72,6	
45	99,2	92,2	71,4	50,7
80	96,8	81,5	58,6	42,9
120	64,4	65,0	46,3	34,1
160	40,7	41,5	37,7	29,4
200	26,9	27,6	28,9	25,1
235	18,7	19,3	20,6	21,7
245		17,4	18,7	19,8
265			15,2	16,3
285				13,2

Main boom 272 ft

Radius	Fixed jib length in (ft)			
	36	46	66	85
(ft)	lbs	lbs	lbs	lbs
26,5	99,2			
35	99,2	93,2		
40	99,2	92,7	70,9	
50	99,2	91,4	69,0	48,3
120	62,0	63,0	49,3	35,6
160	38,0	38,9	40,0	31,5
200	24,2	24,9	26,4	26,9
240	15,1	15,7	17,0	18,2
280	8,6	9,2	10,4	11,4
285		8,5	9,7	10,7
305			7,0	8,1
325				5,3

Main boom 282 ft

Radius	Fixed jib length in (ft)		
	36	46	56
(ft)	lbs	lbs	lbs
26,8	99,2		
35	99,2	91,8	83,5
40	99,2	91,2	82,3
80	99,2	83,6	69,7
120	61,5	62,4	57,8
160	37,5	38,3	39,3
200	23,6	24,3	25,1
240	14,5	15,1	15,9
280	8,0	8,6	9,3
285	7,1	7,8	8,6
295		6,2	7,0
305			5,4

TLT 983997914 - M118442 Offiziell

Capacities in 1000 lbs with fixed jib (No. 1008.xx), 273,400 lbs counterweight + 125,700 lbs carbody counterweight. Above lift chart is for reference only. For actual lift duty and complete chart with all available configurations please refer to lift chart in operator's cab or manual.

Lift chart - fixed jib (No. 1008.xx)

Offset 30°

Main boom 66 ft

Radius (ft)	Fixed jib length in (ft)			
	36	46	66	85
	lbs	lbs	lbs	lbs
50	66,6			
55	64,6	55,0		
65	58,4	49,1	34,9	
70	55,6	46,4	33,2	26,0
80	50,9	42,4	31,1	24,1
85	49,0	40,7	29,9	23,0
90	47,5	39,1	28,6	22,0
95	46,4	37,8	27,5	21,2
100	45,3	36,8	26,6	20,4
110		35,3	24,9	18,9
130			23,0	16,9
150				15,8

Main boom 95 ft

Radius (ft)	Fixed jib length in (ft)			
	36	46	66	85
	lbs	lbs	lbs	lbs
45	76,1			
50	72,4	63,8		
60	64,9	57,5	39,2	
65	64,3	54,5	37,2	27,8
80	57,1	48,0	32,9	26,2
100	50,0	41,9	30,3	22,6
110	47,6	39,5	28,4	21,3
120	45,9	37,8	27,0	19,9
125	45,2	37,2	26,3	19,4
135		36,2	25,1	18,5
155			24,0	17,0
175				16,4

Main boom 125 ft

Radius (ft)	Fixed jib length in (ft)			
	36	46	66	85
	lbs	lbs	lbs	lbs
40	83,5			
45	79,6	65,4		
55	72,5	61,1	41,0	
65	66,4	56,3	37,8	30,5
80	62,2	50,0	33,9	27,2
100	54,9	44,0	31,6	23,7
120	49,4	39,9	28,3	21,3
140	46,3	36,9	25,9	19,2
150	45,1	36,0	25,0	18,5
160		35,2	24,3	17,8
180			23,5	16,8
200				16,4

Main boom 154 ft

Radius (ft)	Fixed jib length in (ft)			
	36	46	66	85
	lbs	lbs	lbs	lbs
35	89,6			
40	85,3	70,3		
50	78,3	65,2	42,6	
65	70,0	59,2	39,3	30,7
80	63,4	53,5	35,6	27,7
100	57,6	47,8	32,0	24,7
120	52,4	43,2	29,8	22,2
160	44,7	37,5	25,5	18,8
175	38,5	36,6	24,4	17,9
185		35,8	24,0	17,4
205			23,4	16,7
225				16,4

Main boom 184 ft

Radius (ft)	Fixed jib length in (ft)			
	36	46	66	85
	lbs	lbs	lbs	lbs
32,1	92,8			
40	86,9	68,8		
55	77,5	62,4	41,7	
65	72,4	58,5	39,0	30,9
80	66,0	53,7	35,8	28,0
120	54,5	43,9	31,4	22,9
160	43,4	38,2	27,0	19,6
200	29,1	30,0	24,3	17,5
205	27,7	28,5	24,2	17,3
215		25,9	23,9	16,9
230			23,5	16,6
250				16,4

Main boom 203 ft

Radius (ft)	Fixed jib length in (ft)			
	36	46	66	85
	lbs	lbs	lbs	lbs
32,8	92,3			
40	88,0	69,1		
55	78,8	64,1	41,8	
65	73,5	61,0	39,4	31,0
80	67,7	56,0	36,3	28,4
120	58,1	46,2	31,7	23,5
160	42,4	39,8	27,7	20,2
200	28,2	29,1	24,9	18,0
220	23,0	23,8	24,1	17,2
230		21,5	23,1	16,9
250			18,8	16,6
270				16,3

Main boom 223 ft

Radius (ft)	Fixed jib length in (ft)			
	36	46	66	85
	lbs	lbs	lbs	lbs
33,4	91,9			
40	87,8	69,2		
55	79,8	63,7	42,0	
65	74,9	60,4	39,7	31,0
80	69,6	55,5	36,8	28,5
120	58,3	46,8	31,1	23,9
160	41,5	40,6	27,3	20,7
200	27,4	28,2	24,6	18,5
235	18,9	19,7	21,2	17,1
245		17,6	19,1	16,8
265			15,4	16,6
285				13,4

Main boom 272 ft

Radius (ft)	Fixed jib length in (ft)			
	36	46	66	85
	lbs	lbs	lbs	lbs
35,2	89,8			
45	85,2	68,4		
55	80,1	65,8	42,8	
80	71,0	59,7	38,1	28,7
120	62,3	50,8	32,9	24,5
160	39,1	40,3	30,5	21,5
200	24,9	25,8	27,5	19,3
240	15,5	16,3	17,9	17,6
280	8,8	9,5	10,9	12,2
290		8,0	9,4	10,7
310			6,4	7,9
330				4,9

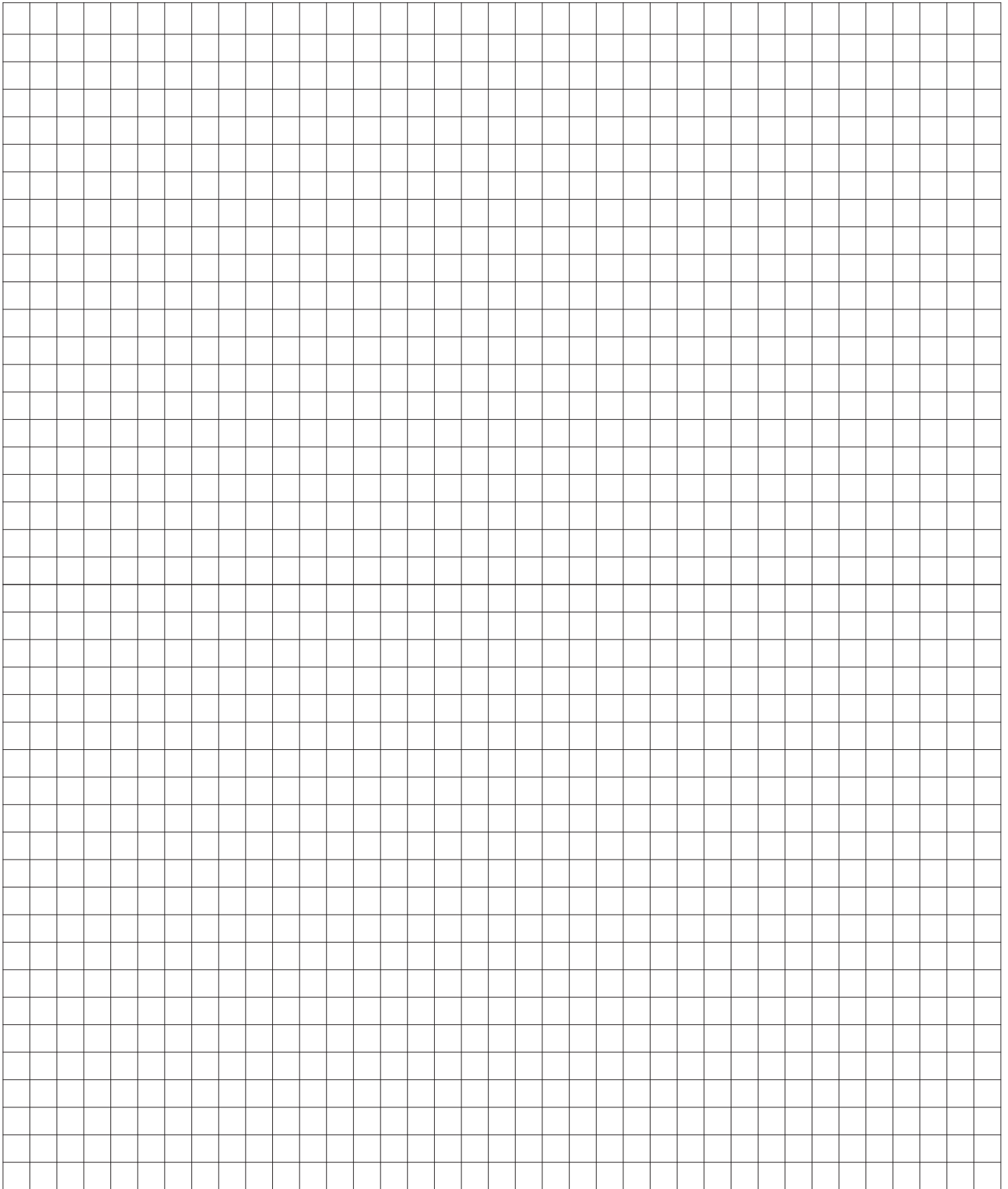
Main boom 282 ft

Radius (ft)	Fixed jib length in (ft)		
	36	46	56
	lbs	lbs	lbs
35,5	89,7		
45	85,3	66,6	
50	82,8	66,4	51,1
80	71,6	58,4	44,6
120	62,6	49,9	38,3
160	38,6	39,8	34,2
200	24,4	25,3	26,3
240	15,0	15,8	16,6
280	8,2	8,9	9,7
290	6,5	7,3	8,2
300		5,6	6,6
310			4,9

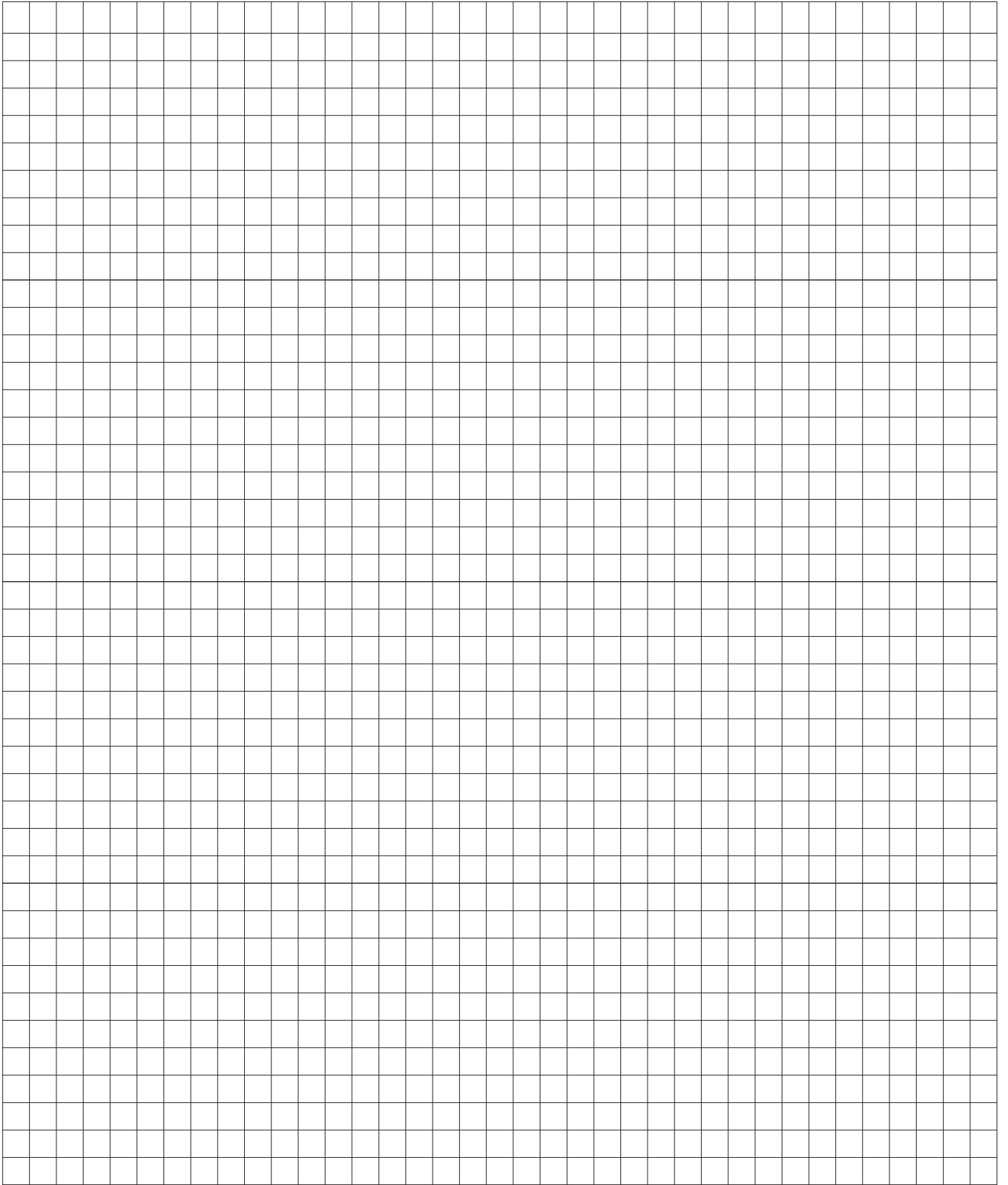
TLT 983997914 - M118442 Offiziell

Capacities in 1000 lbs with fixed jib (No. 1008.xx), 273,400 lbs counterweight + 125,700 lbs carbody counterweight. Above lift chart is for reference only. For actual lift duty and complete chart with all available configurations please refer to lift chart in operator's cab or manual.

Notice



Notice



Liebherr-Werk Nenzing GmbH

Dr. Hans Liebherr Str. 1, 6710 Nenzing/Austria
Tel.: +43 50809 41-473, Fax: +43 50809 41-499
crawler.crane@liebherr.com, www.liebherr.com
facebook.com/LiebherrConstruction